

FS-IMPERIUM Insert compatible with Imperium Horizons[®]

incl. space for Imperium Legends and Imperium Classics

Assembly Instructions

The package contains six single sheets.

After assembly the trays are put in up to four layers in the original game box.

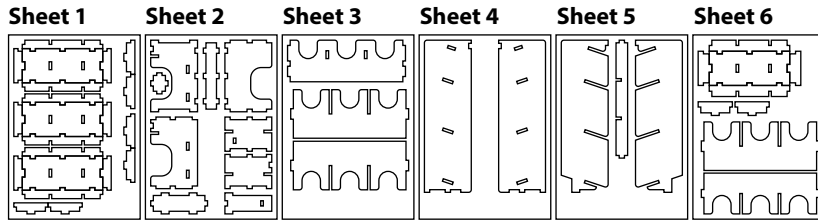
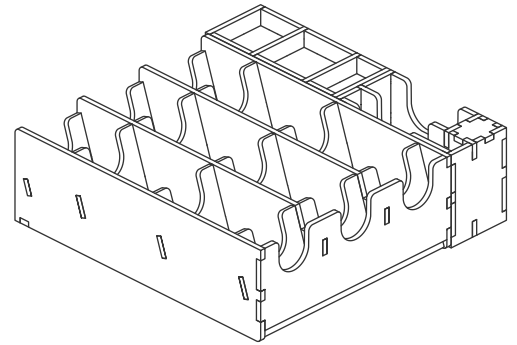
Ordinary PVA glue is required when assembling each tray.

Please make sure you **dry-assemble** each tray correctly before gluing it together.

Please check www.foldedspace.com for general assembly tips.

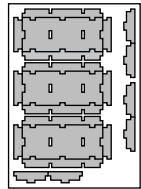


FS-IMPERIUM

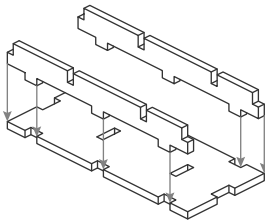


Tray 1a, b, c (the trays are identical)

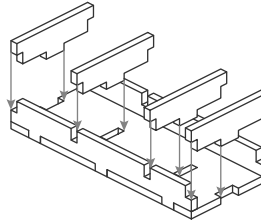
Sheet 1



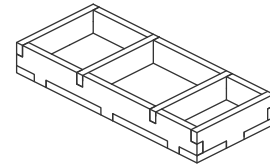
Step 1



Step 2

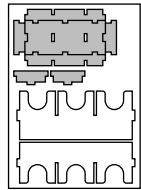


Finished tray

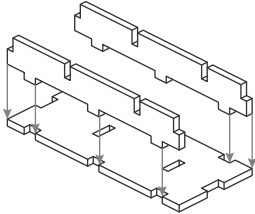


Tray 2

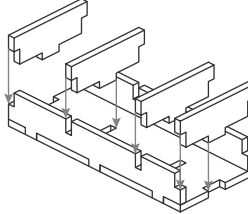
Sheet 6



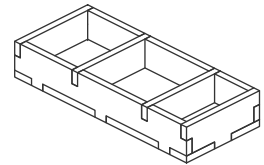
Step 1



Step 2

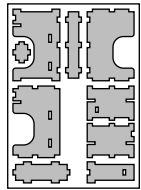


Finished tray

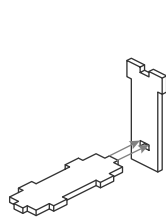


Tray 3

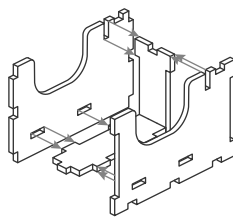
Sheet 2



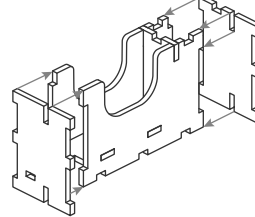
Step 1



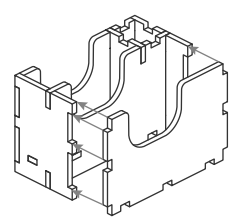
Step 2



Step 3

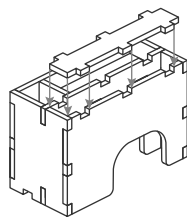


Step 4



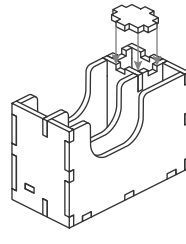
Step 5

(flip 180°)

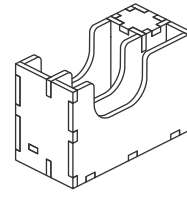


Step 6

(flip 180°)



Finished tray



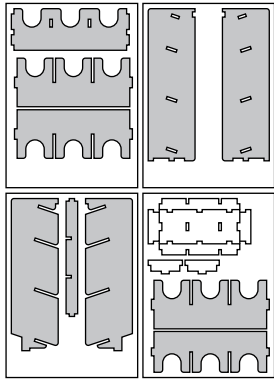
FS-IMPERIUM Insert compatible with Imperium Horizons[©]

incl. space for Imperium Legends and Imperium Classics

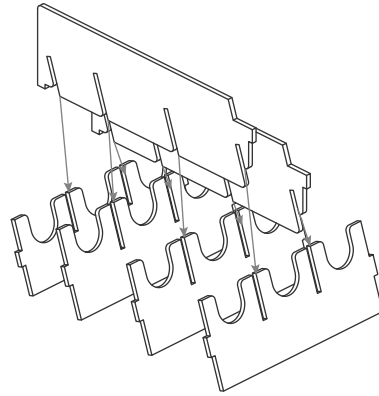


Tray 4

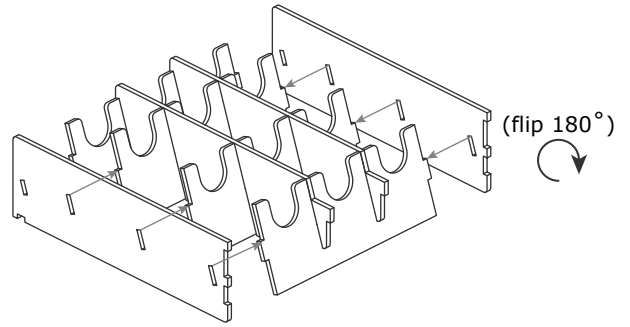
Sheet 3, 4, 5, 6



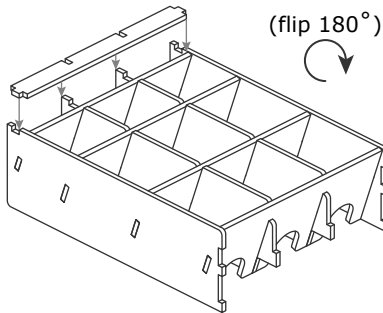
Step 1



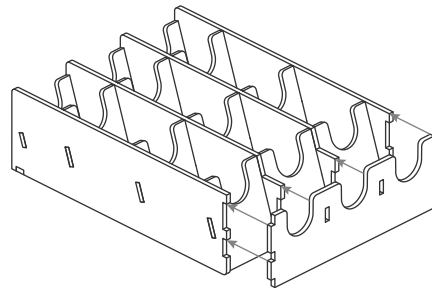
Step 2



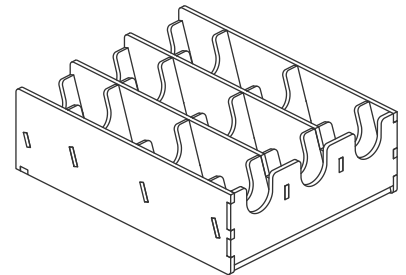
Step 3



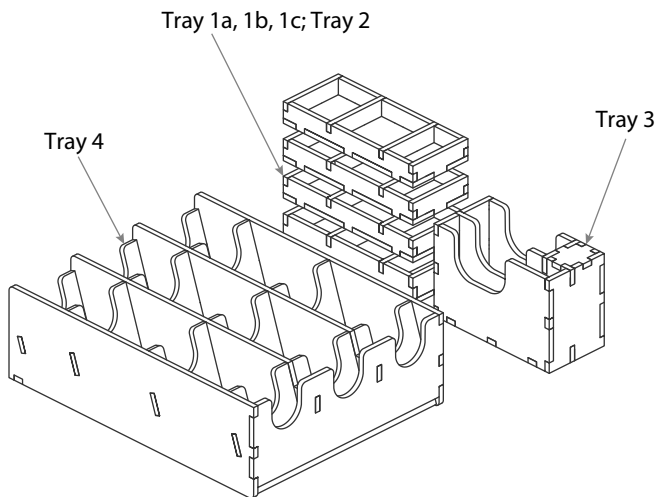
Step 4



Finished tray



FS-IMPERIUM



Please check www.foldedspace.com for photos of this insert in use.

Tray legend

- Tray 1a, b, c - materials, population, progress, goods, and action tokens
- Tray 2 - cultist, solstice, and King of Kings tokens, Slot markers, 6-sided die
- Tray 3 - bot state cards, Trade route expansion cards, state cards, solstice card
- Tray 4 - civilization decks, commons cards, market board and player organizers