

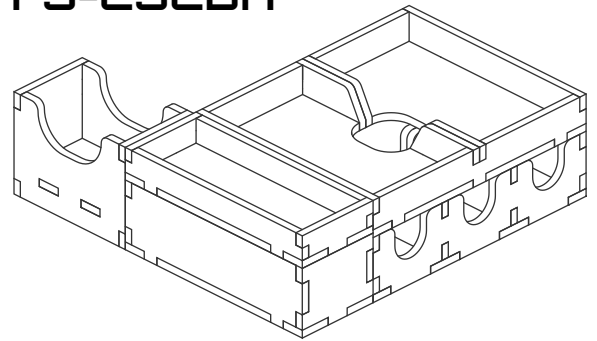
FS-CSCDA Insert compatible with Cascadia® including the Landmarks expansion and Kickstarter Promo Cards



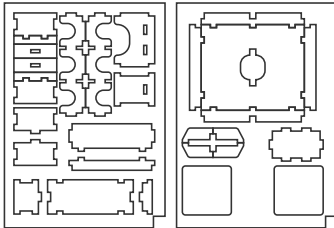
Assembly Instructions

The package contains three sheets: 1 double and 1 single sheet.
After assembly the trays are put in up to two layers in the original game box.
Ordinary PVA glue is required when assembling each tray.
Please make sure you dry-assemble each tray correctly before gluing it together.
Please check www.foldedspace.com for general assembly tips.

FS-CSCDA



Sheet 1, 2 Sheet 3



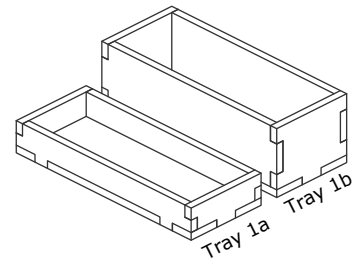
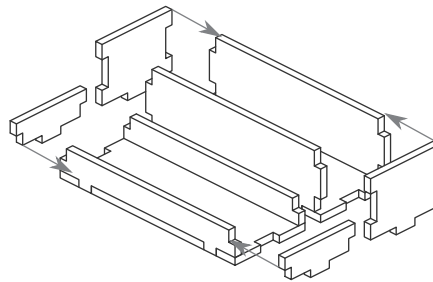
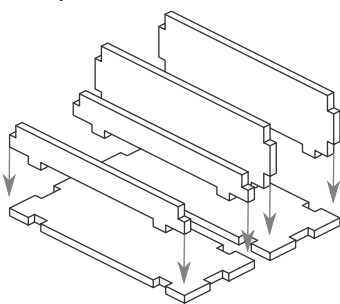
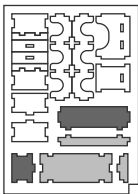
Tray 1a, 1b

Sheet 1, 2

Step 1

Step 2

Finished trays



Tray 2

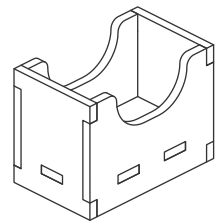
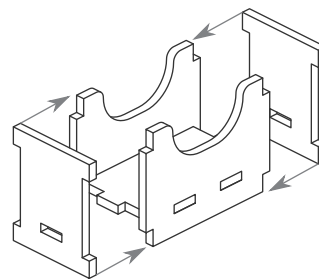
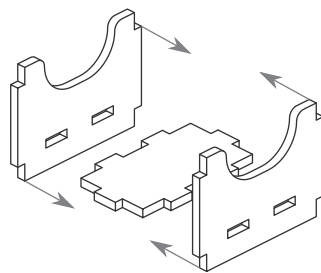
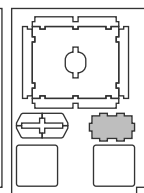
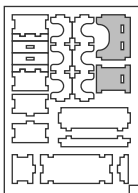
Sheet 1, 2

Sheet 3

Step 1

Step 2

Finished tray



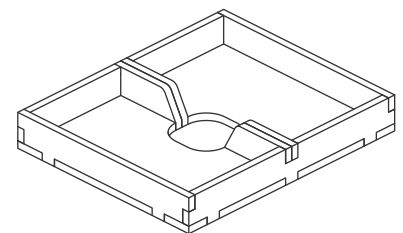
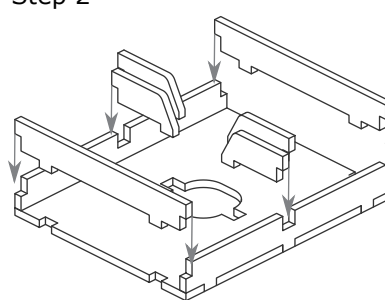
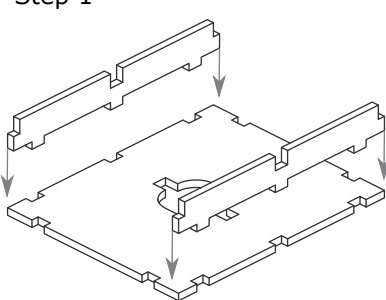
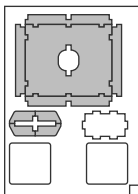
Tray 3 (check note in tray legend ★)

Sheet 3

Step 1

Step 2

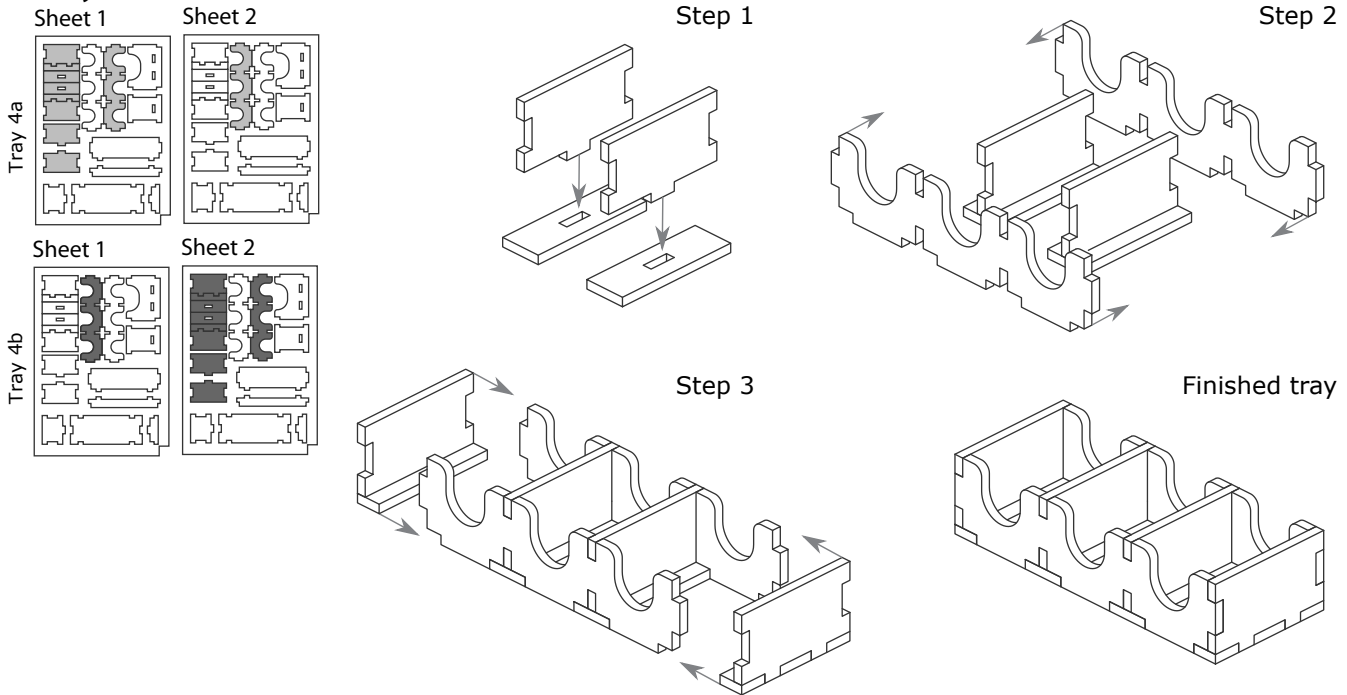
Finished tray



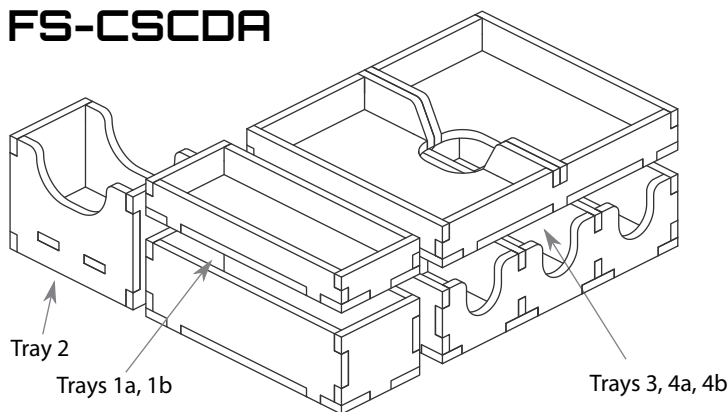
FS-CSCDA Insert compatible with Cascadia® including the Landmarks expansion and Kickstarter Promo Cards



Tray 4a, 4b (the trays are identical, & check note in tray legend ★)



FS-CSCDA



Please check www.foldedspace.com for photos of this insert in use.

Tray legend

- Tray 1a - nature tokens
- Tray 1b - landmark tokens
- Tray 2 - landmark scoring cards
- Tray 3 - wildlife scoring cards
- Tray 4a, b - habitat tiles

Note: the starter habitat tiles, score pad, and cloth bag containing the wildlife tokens are placed in the gap next to Tray 2. There is room for just one full score pad if you want to avoid any lid lift when the box is fully loaded.

★ Please take care dry assembling the trays before adding glue to ensure that the colour print matches the designs on our website. In particular ensure that the colour tree outline matches on each of the outside tray corners for Trays 3, 4a & 4b.