

FS-BSUN Insert compatible with Beyond the Sun®



including the Leaders of the New Dawn® expansion

Assembly Instructions

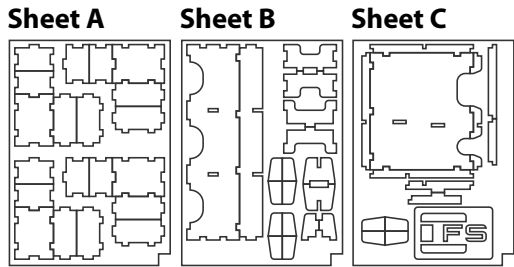
The package contains three single sheets.

After assembly the trays are put in one layer in the original game box.

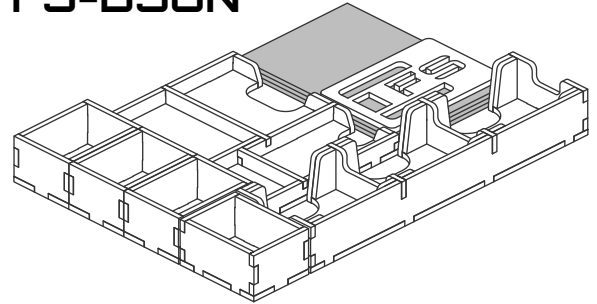
Ordinary PVA glue is required when assembling each tray.

Please make sure you dry-assemble each tray correctly before gluing it together.

Please check www.foldedspace.com for general assembly tips.

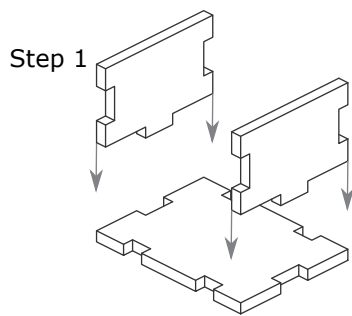
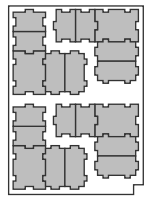


FS-BSUN

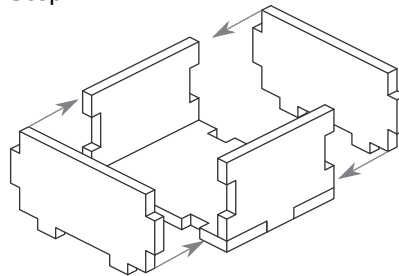


Tray 1a, b, c, d (the trays are identical)

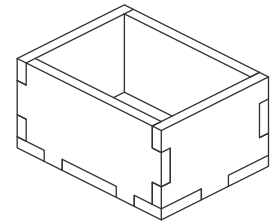
Sheet A



Step 2

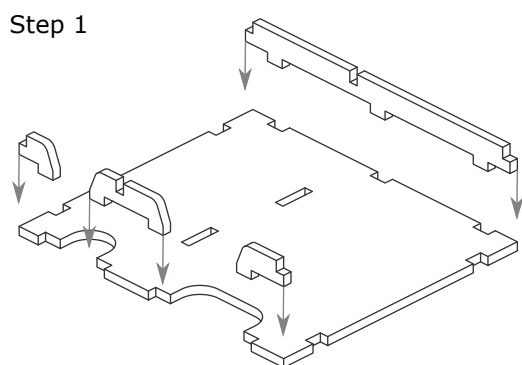
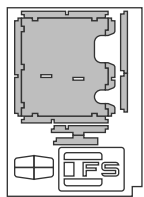


Finished tray

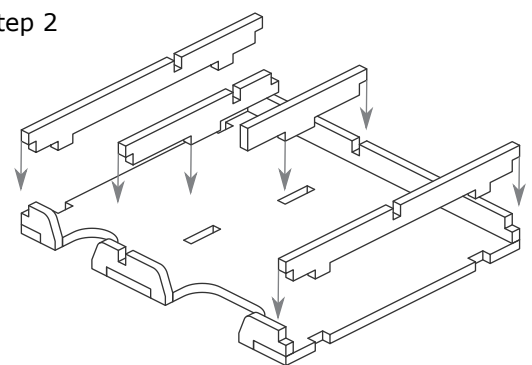


Tray 2

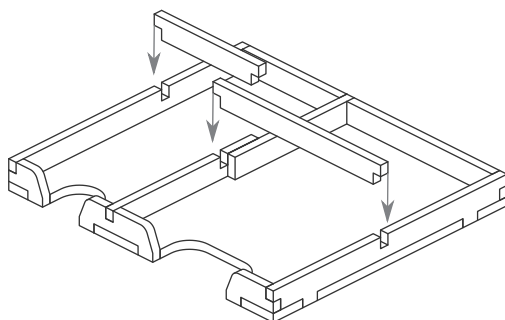
Sheet C



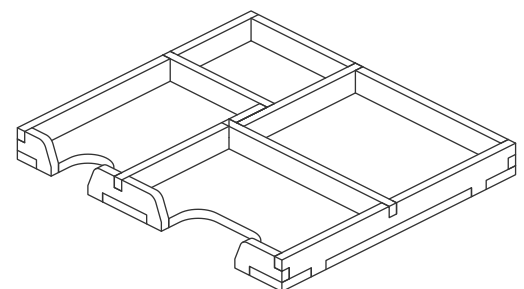
Step 2



Step 3



Finished tray

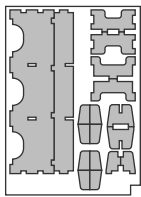


FS-BSUN Insert compatible with Beyond the Sun[®] including the Leaders of the New Dawn[®] expansion

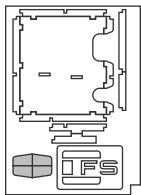


Tray 3

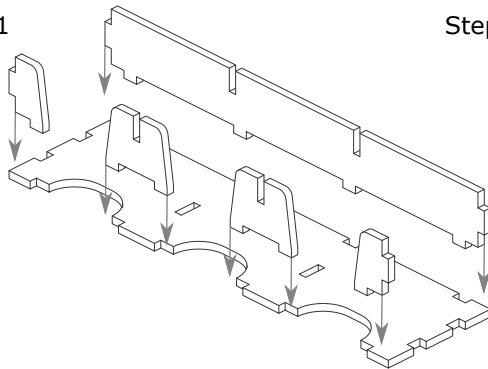
Sheet B



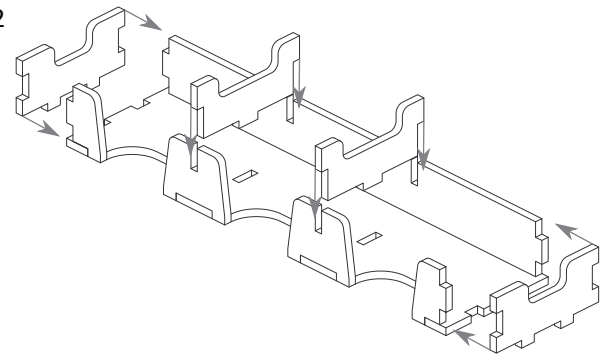
Sheet C



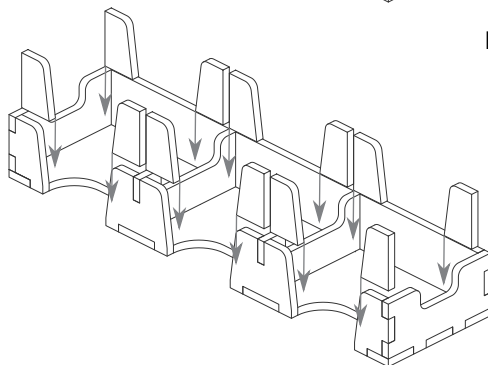
Step 1



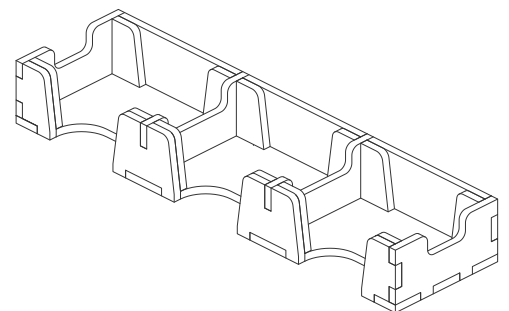
Step 2



Step 3

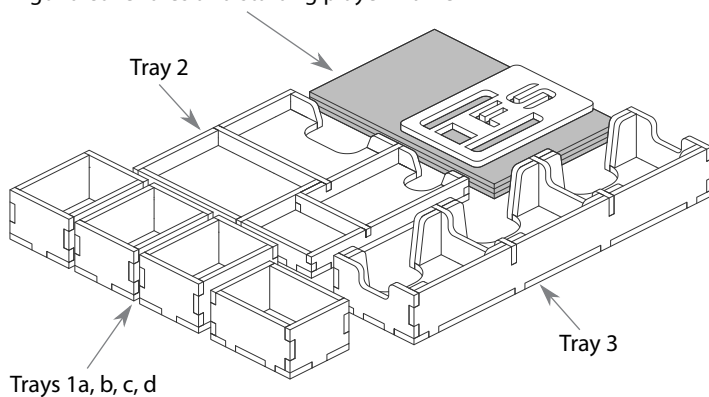


Finished trays



FS-BSUN

Player aids, basic spacefaring replacement tiles,
guild cover tiles and starting player marker



Please check www.foldedspace.com
for photos of this insert in use.

Tray legend

- Tray 1a, b, c, d - player pieces
- Tray 2 - ore crystals, expansion tokens, leader cards and achievement & android-omniweb cards
- Tray 3 - systems cards, solo & event cards, technology cards and doomsday tracker board

Note: the insert includes a FS logo branded piece which can be added on top of the player aids to help support the faction mats, which go on top of them & Tray 2. This piece is optional, but helps prevent further curving of the double layered faction mats.