

FS-FANFAC Insert compatible with Fantastic Factories®, including the Subterfuge® and Manufactions® expansions



Assembly Instructions

The package contains two single sheets.

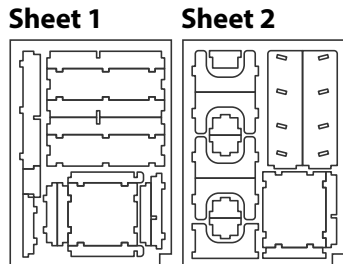
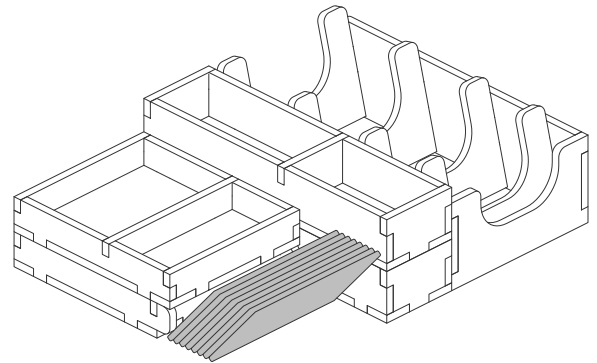
After assembly the trays are put in up to two layers in the original game box.

Ordinary PVA glue is required when assembling each tray.

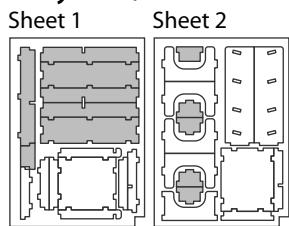
Please make sure you dry-assemble each tray correctly before gluing it together.

Please check www.foldedspace.com for general assembly tips.

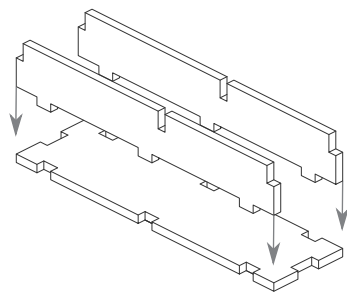
FS-FANFAC



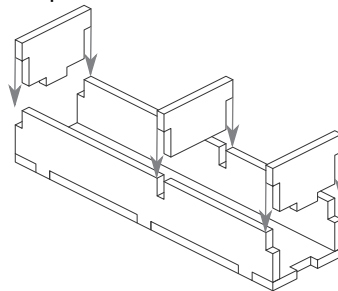
Trays 1a, 1b



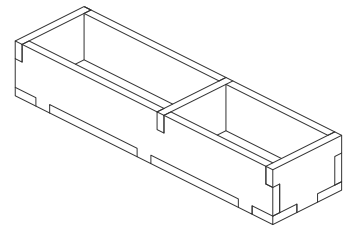
(the trays are identical)
Step 1



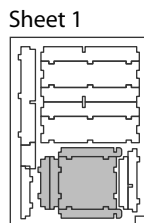
Step 2



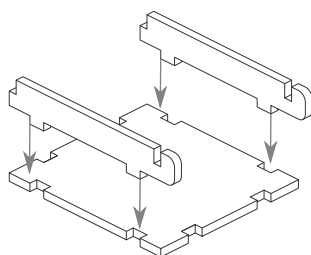
Finished tray



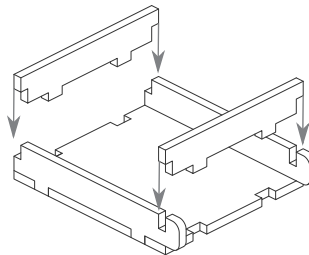
Tray 2



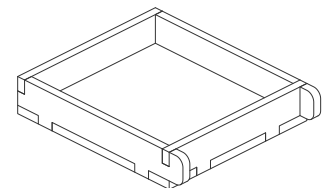
Step 1



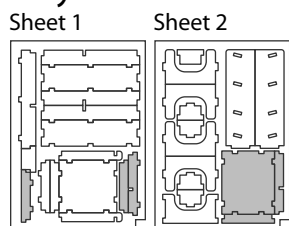
Step 2



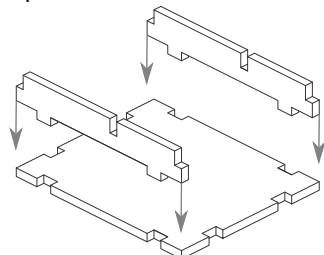
Finished tray



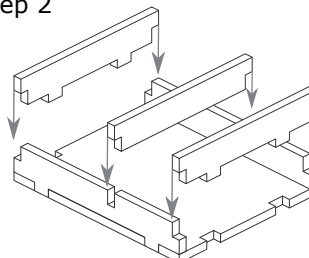
Tray 3



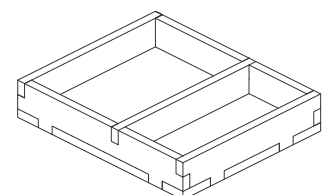
Step 1



Step 2



Finished tray

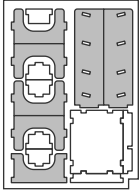


FS-FANFAC Insert compatible with Fantastic Factories®, including the Subterfuge® and Manufactions® expansions

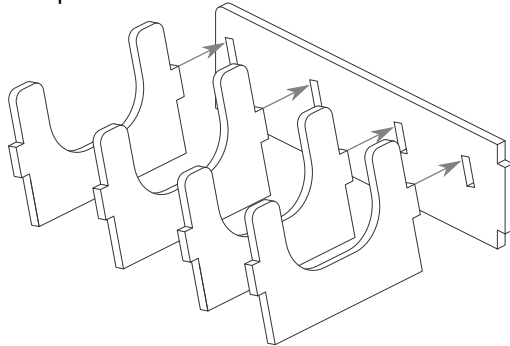


Tray4

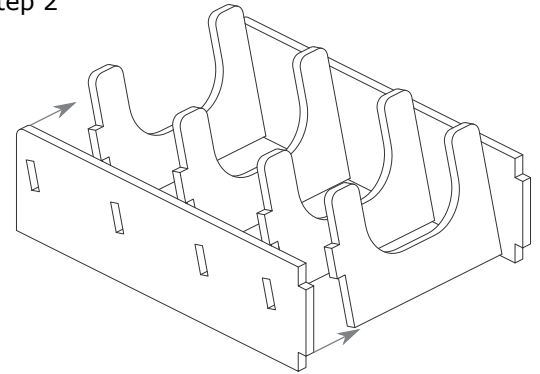
Sheet 2



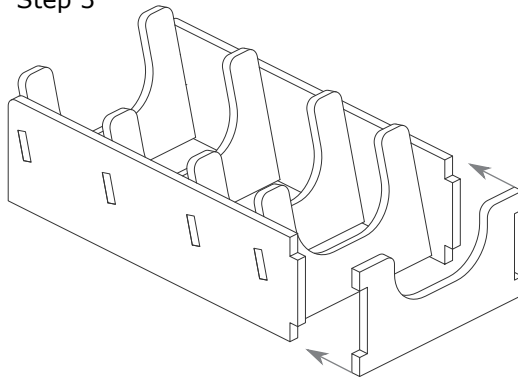
Step 1



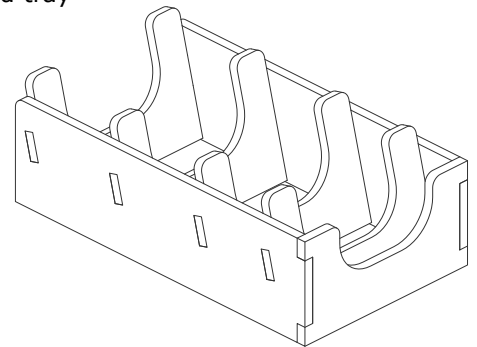
Step 2



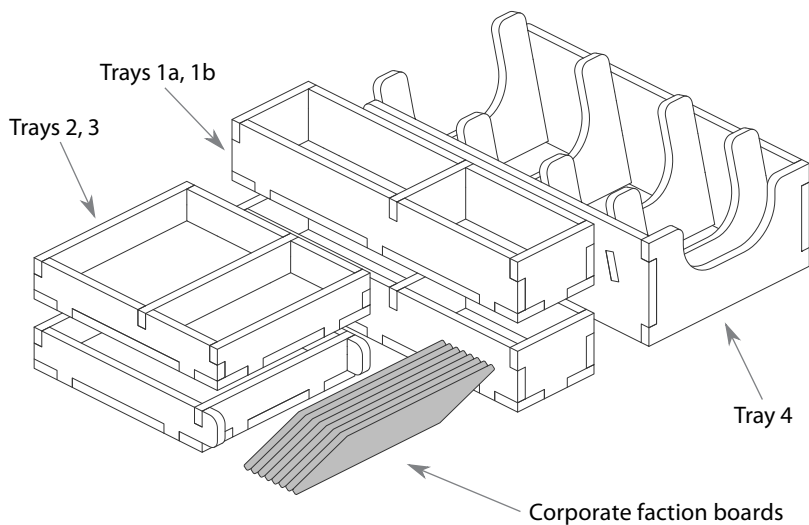
Step 3



Finished tray



FS-FANFAC



Please check www.foldedspace.com for photos of this insert in use.

Tray legend:

- Tray 1a - goods tokens
- Tray 1b - energy and metal tokens
- Tray 2 - dice
- Tray 3 - vitamin and other tokens
- Tray 4 - card decks

Note: when packing the box place the headquarters boards and Subterfuge rule book on top of Trays 2 & 3. The remaining two rulebooks are placed on top of everything, filling the box.