

FS-UNDST Insert compatible with Undaunted: Stalingrad®



Assembly Instructions

The package contains seven sheets: two double and three single sheets.

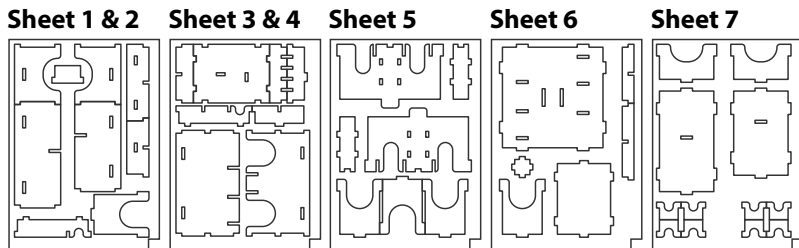
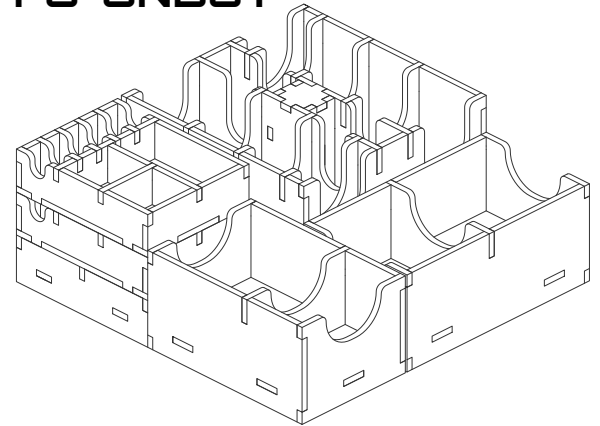
After assembly the trays are put in up to three layers in the original game box.

Ordinary PVA glue is required when assembling each tray.

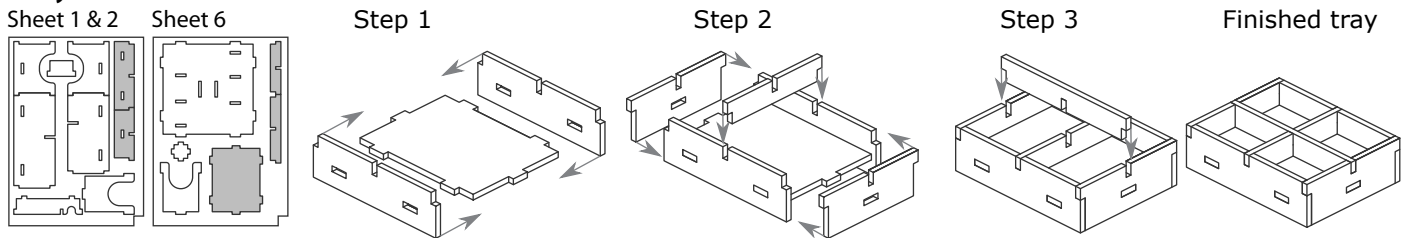
Please make sure you **dry-assemble** each tray correctly before gluing it together.

Please check www.foldedspace.com for general assembly tips.

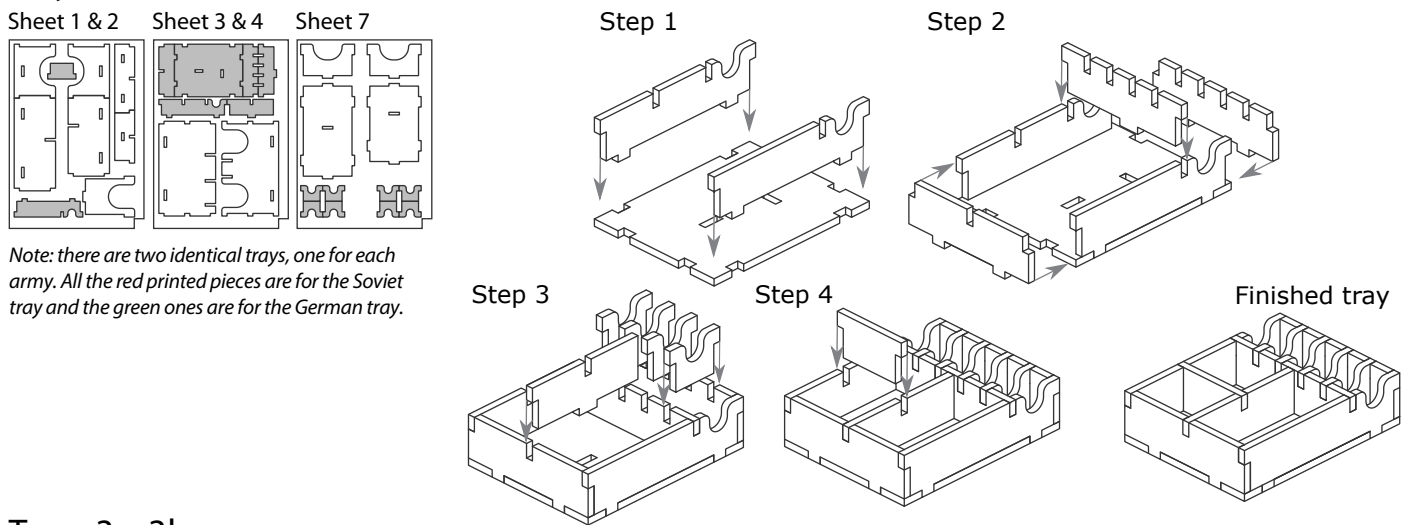
FS-UNDST



Tray 1

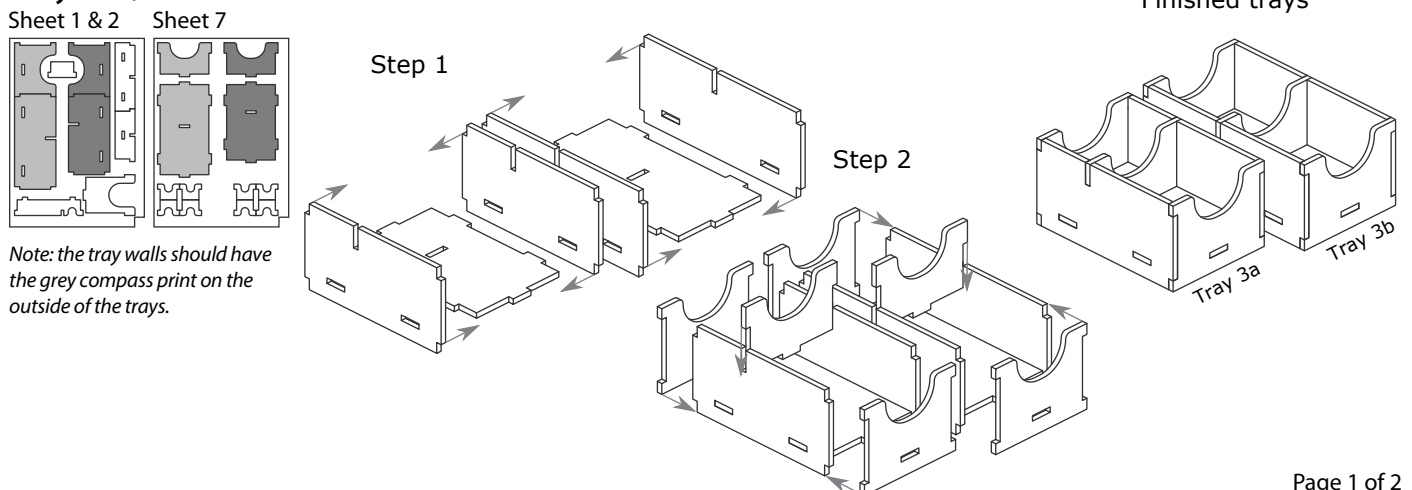


Trays 2a, 2b



Note: there are two identical trays, one for each army. All the red printed pieces are for the Soviet tray and the green ones are for the German tray.

Trays 3a, 3b

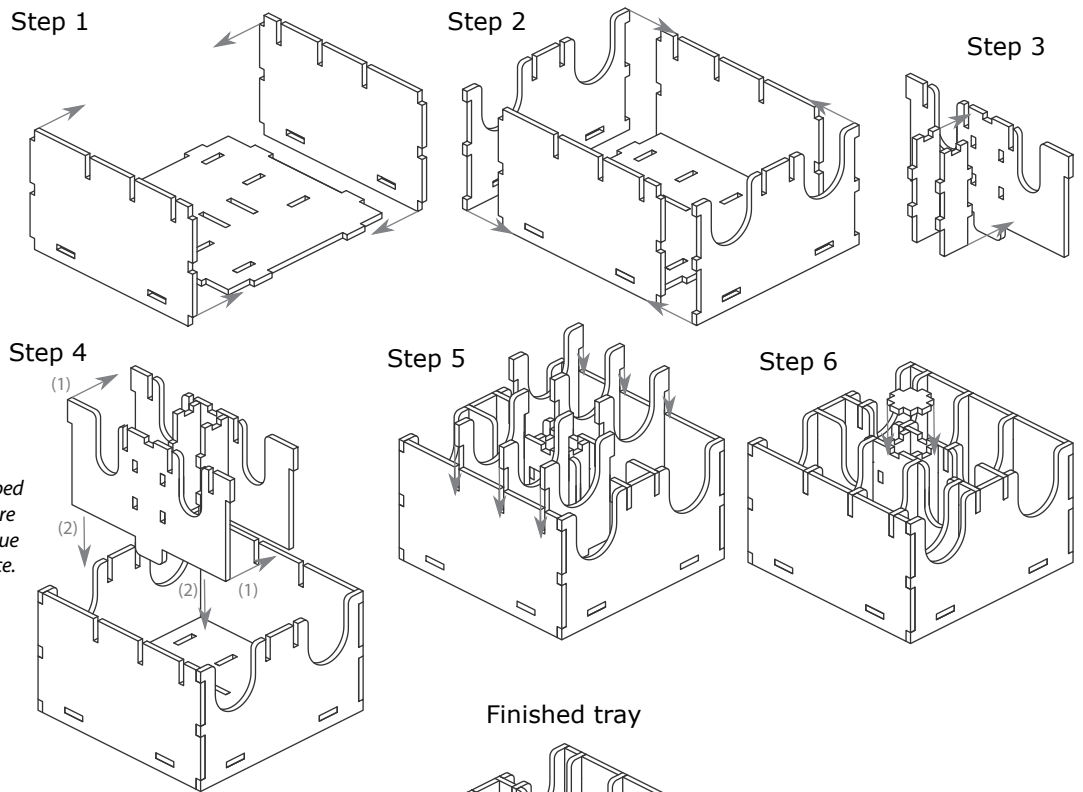
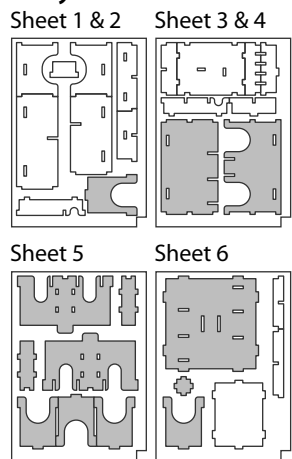


Note: the tray walls should have the grey compass print on the outside of the trays.

FS-UNDST Insert compatible with Undaunted: Stalingrad®

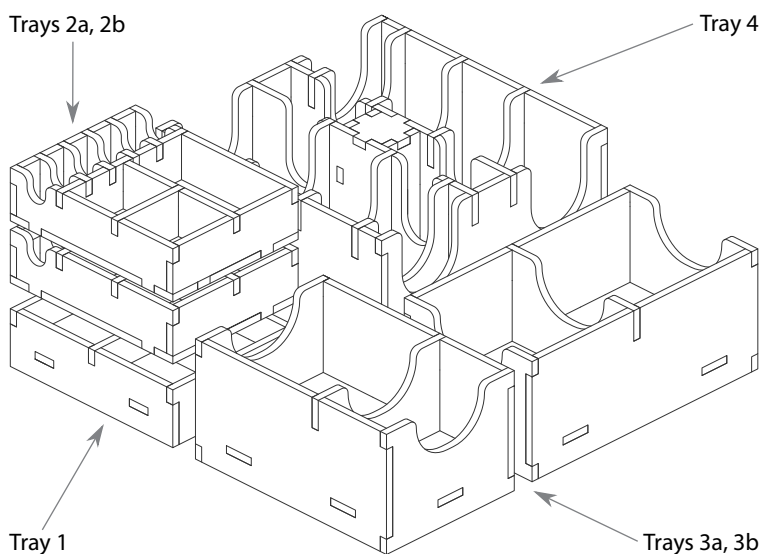


Tray 4



Note: the tray is arranged in two L shaped halves, one red and one green. Take care to dry-build the tray before applying glue to be sure everything is in the right place.

FS-UNDST



Please check www.foldedspace.com for photos of this insert in use.

Tray legend:

- Tray 1 - objective, routed, mission, and escape & tunnel markers
- Tray 2a - Soviet army tokens and dice
- Tray 2b - German army tokens and dice
- Tray 3a - transformed city pool board tiles
- Tray 3b - current city pool board tiles
- Tray 4 - Soviet and German army card decks

Note: Tray 4 is designed to be placed in the middle of the table in between the two players. The two army's card decks will face in opposite directions so each player can see their cards but not their opponent's.