

FS-MUTD insert compatible with Marvel United[®], and various combinations of expansions

Assembly Instructions

The package contains 4 sheets, two identical and two different sheets.

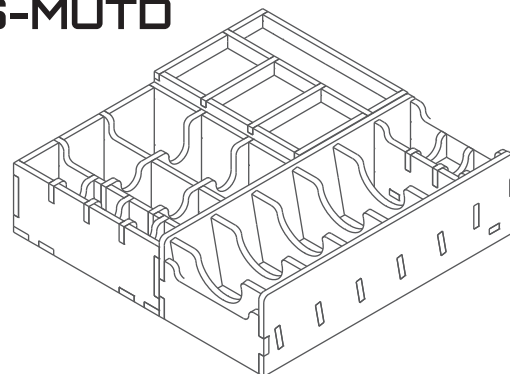
After assembly the trays are put in up to three layers in the original game box.

Ordinary PVA glue is required when assembling each tray.

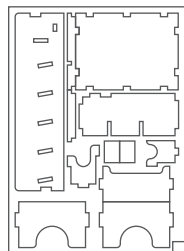
Please make sure you dry-assemble each tray correctly before gluing it together.

Please check www.foldedspace.net for general assembly tips.

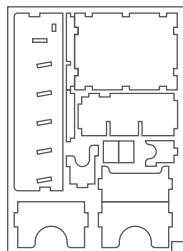
FS-MUTD



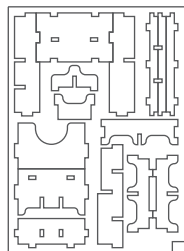
Sheet A1



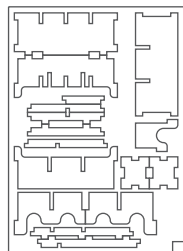
Sheet A2



Sheet B1

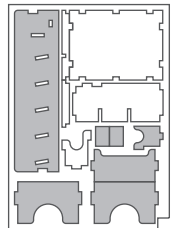


Sheet C1

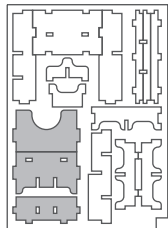


Tray 1

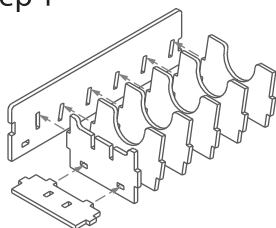
Sheet A1, A2



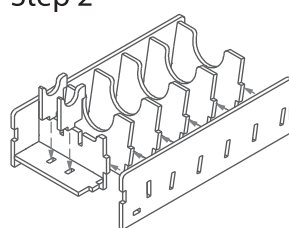
Sheet B1



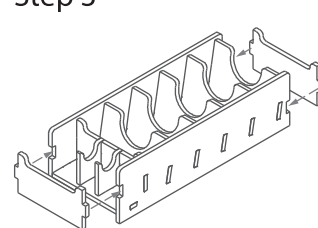
Step 1



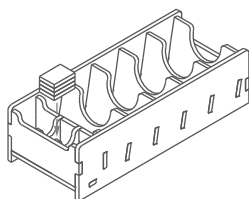
Step 2



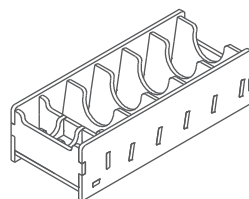
Step 3



Step 4

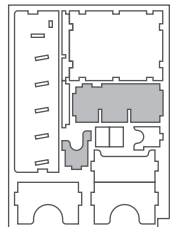


Finished tray

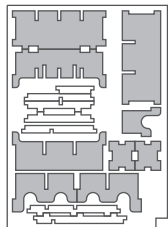


Tray 2

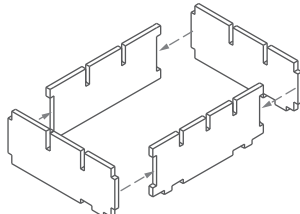
Sheet A1, A2



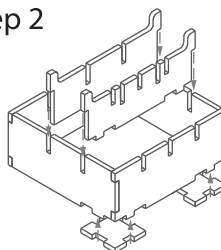
Sheet C1



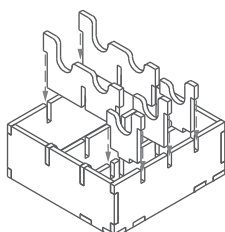
Step 1



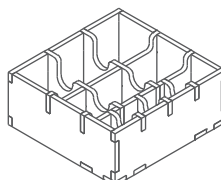
Step 2



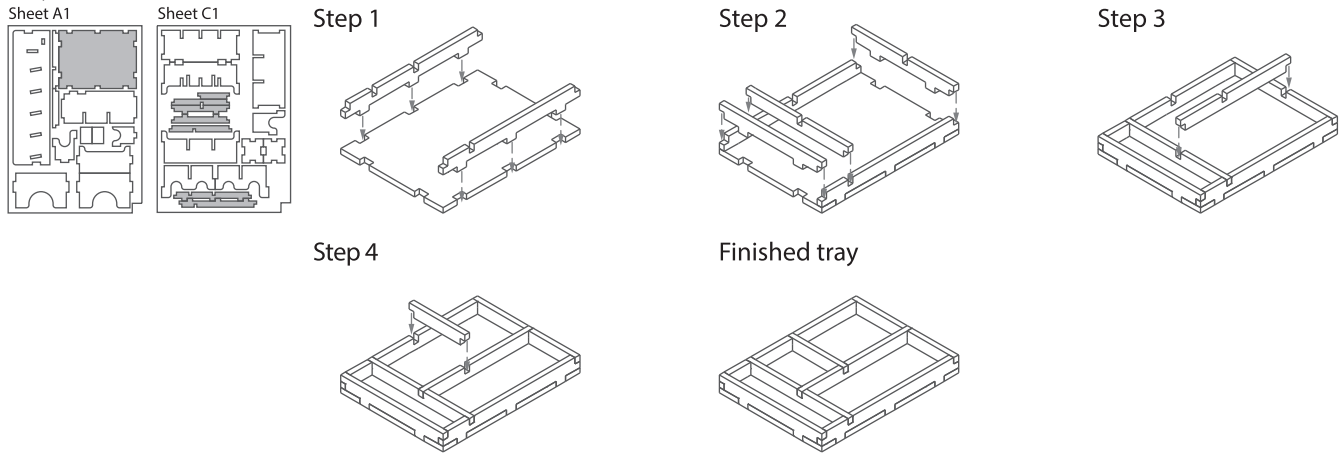
Step 3



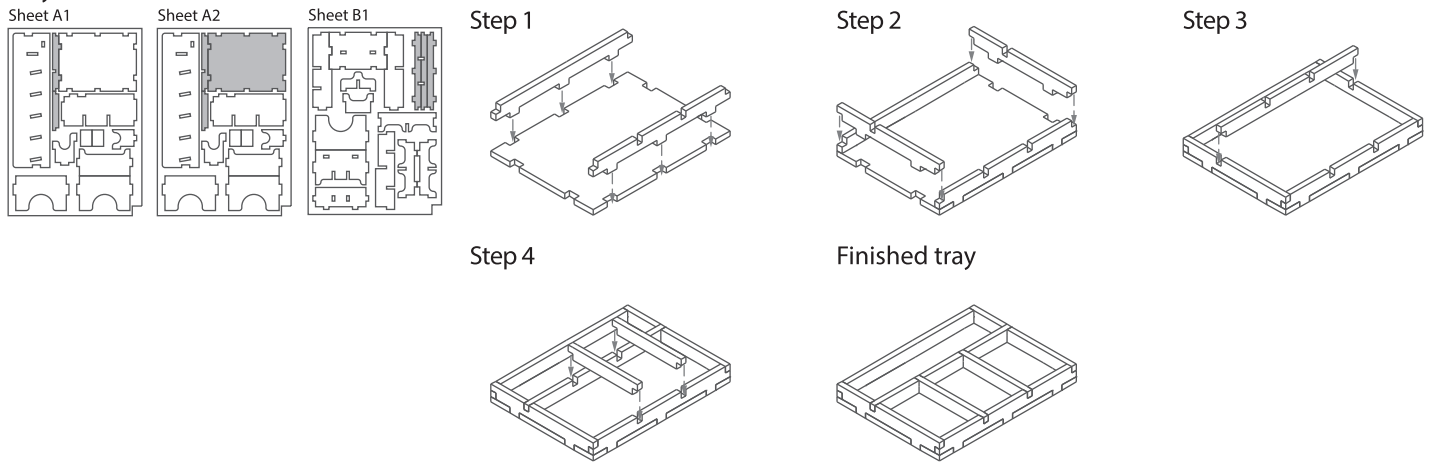
Finished tray



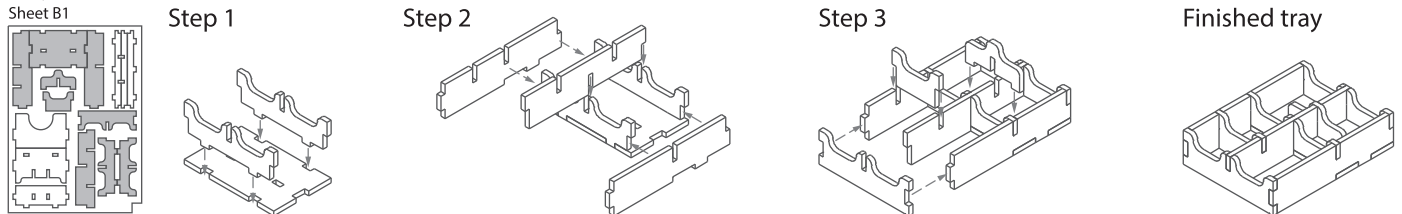
Tray 3a



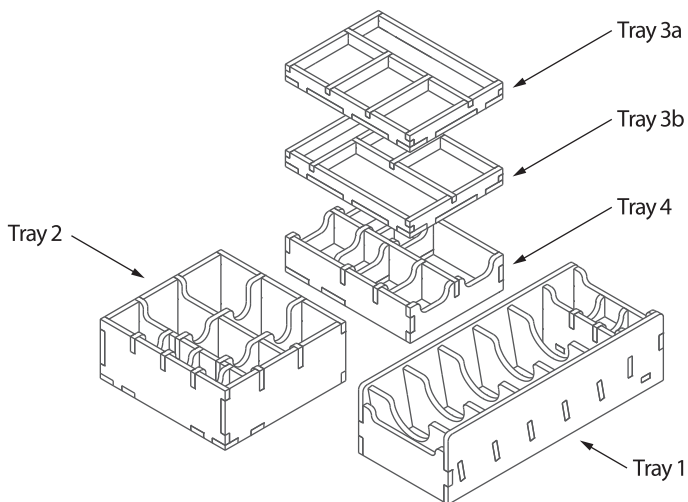
Tray 3b



Tray 4



FS-MUTD



Please check www.foldedspace.net for photos of this insert in use.

Tray legend:

- Tray 1 - card decks
- Tray 2 - miniatures
- Tray 3a - actions tokens
- Tray 3b - thug/civilian, health, crisis, and other tokens
- Tray 4 - miniatures

Note: each miniature is different in size and needs to be placed in the tray slot for that size. You can see full images of what goes where on our website. Note also that when used in one of the expansion boxes there is up to 21 mm of lid lift due to the smaller box.