

Assembly Instructions

FS-GLOJAW

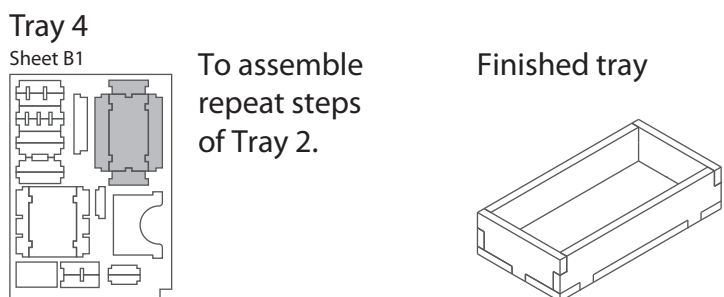
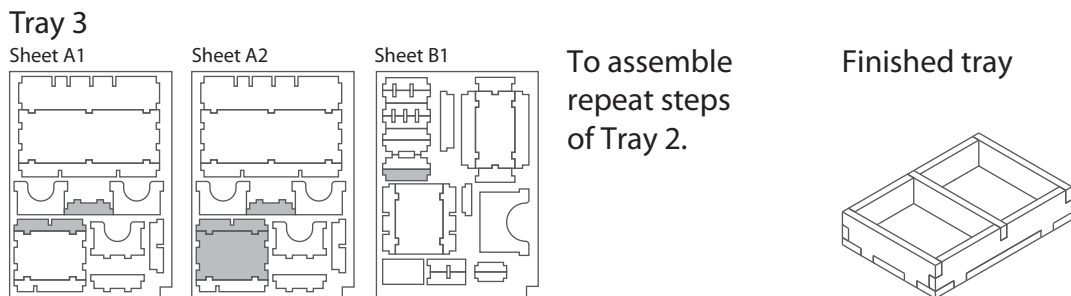
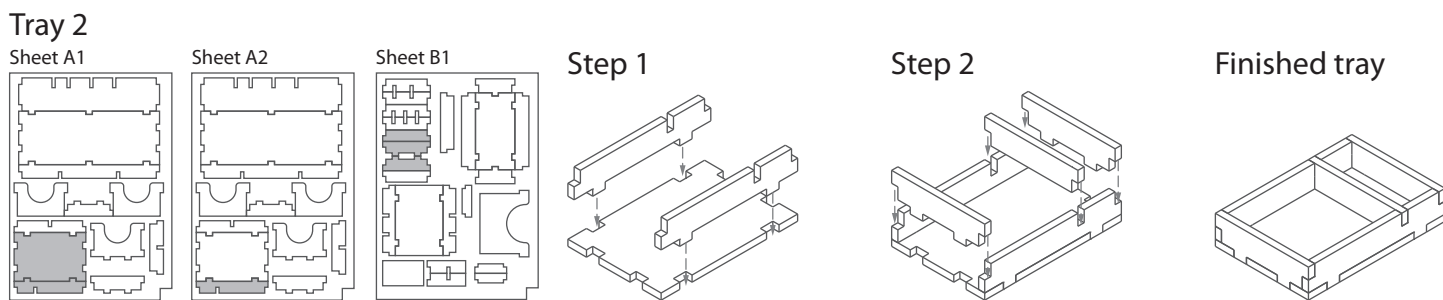
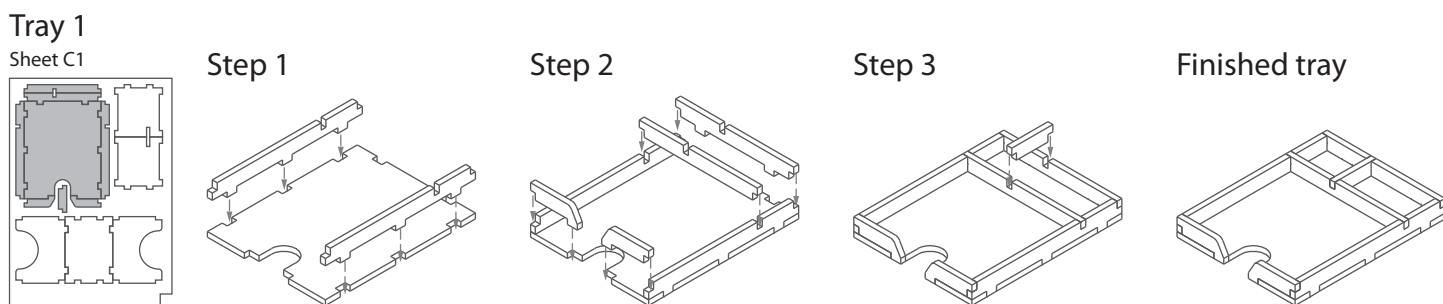
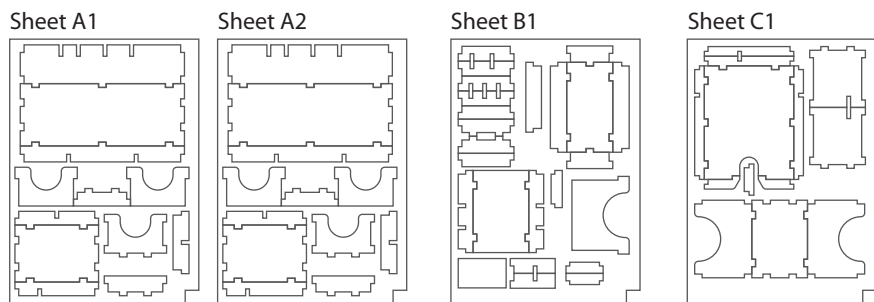
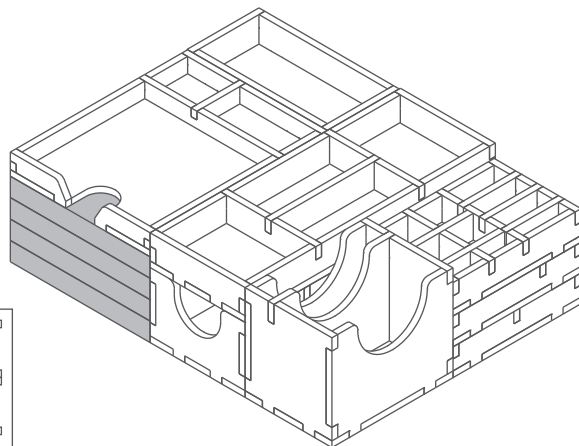
The package contains 4 sheets, two identical to each other and two different sheets.

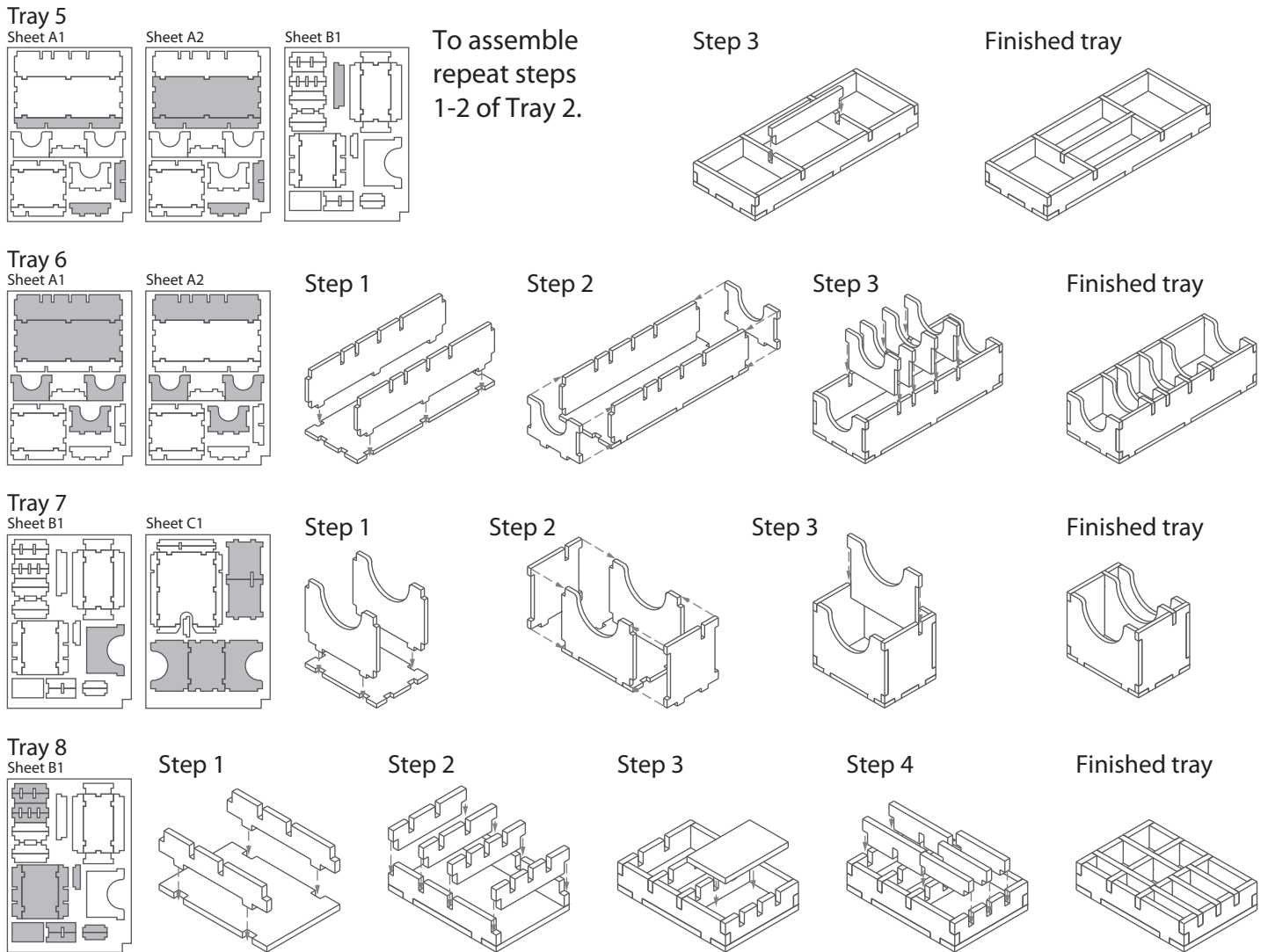
After assembly the trays are put in three layers in the original game box.

Ordinary PVA glue is required when assembling each tray.

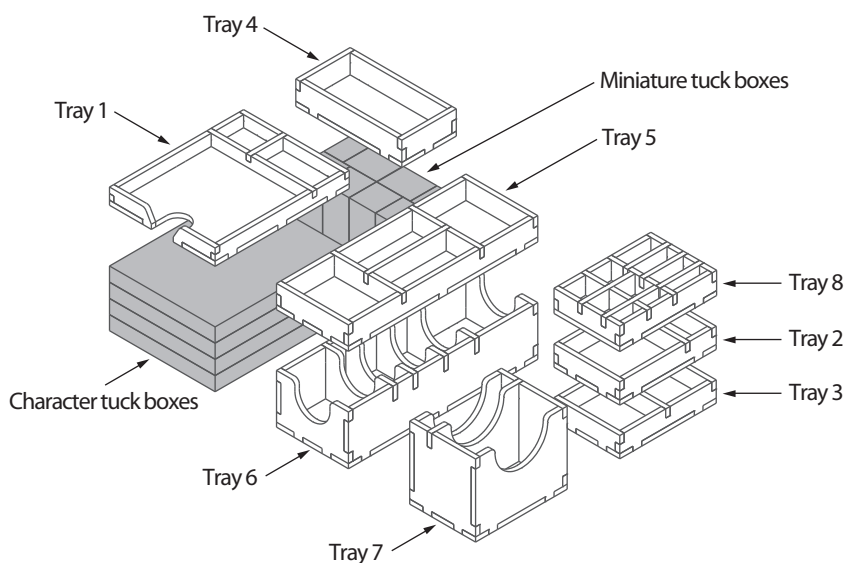
Please make sure you dry-assemble each tray correctly before gluing it together.

Please check www.foldedspace.net for general assembly tips.





FS-GLOJAW



Please check www.foldedspace.net for photos of this insert in use.

Tray legend:

- Tray 1 - monster stat cards & envelopes, element tokens, and initiative order tokens
- Tray 2 - condition and activation tokens
- Tray 3 - damage and money tokens
- Tray 4 - plastic stands
- Tray 5 - large monster standees, destruction, trap and treasure tiles
- Tray 6 - small cards
- Tray 7 - large cards
- Tray 8 - small & medium monster standees

Note: the small and large card trays have additional space for used cards from the character tuck boxes. As these are used up they can be transferred to the trays. This way all cards can be sleeved. Note also that in some editions of the game the initiative order tokens are much larger. Please check our site for info as to how to arrange these in the trays.