

FS-AH3 insert

compatible with Arkham Horror® (Third Edition)

incl. the Dead of Night® expansion



Assembly Instructions

The package contains 5 sheets, two identical to the other two and one different sheet.

The part marked in sheet B2 is to be discarded.

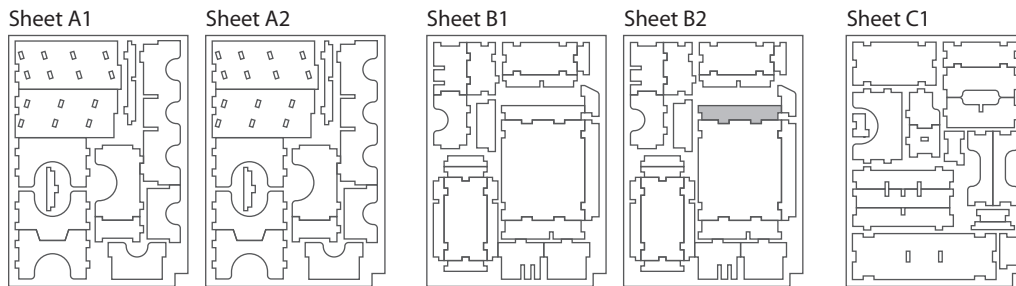
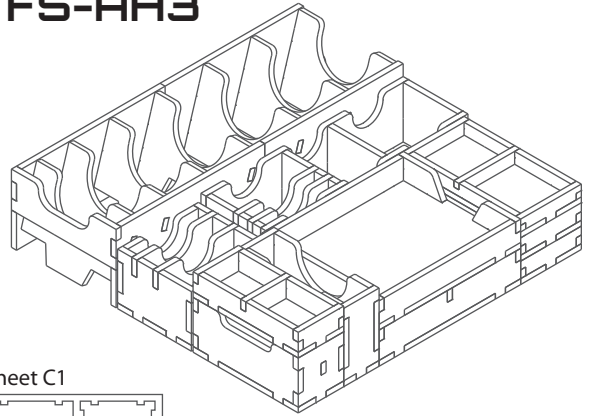
After assembly the trays are put in three layers in the original game box.

Ordinary PVA glue is required when assembling each tray.

Please make sure you dry-assemble each tray correctly before gluing it together.

Please check www.foldedspace.net for general assembly tips.

FS-AH3



Tray 1

Sheet B1 Sheet B2 Sheet C1 Step 1 Step 2 Finished tray

Tray 2

Sheet A1, A2 Sheet C1 To assemble repeat steps of Tray 1. Finished tray

Tray 3a & 3b (the trays are identical)

Sheet B1 Sheet B2 To assemble repeat steps of Tray 1. Finished tray

Tray 4

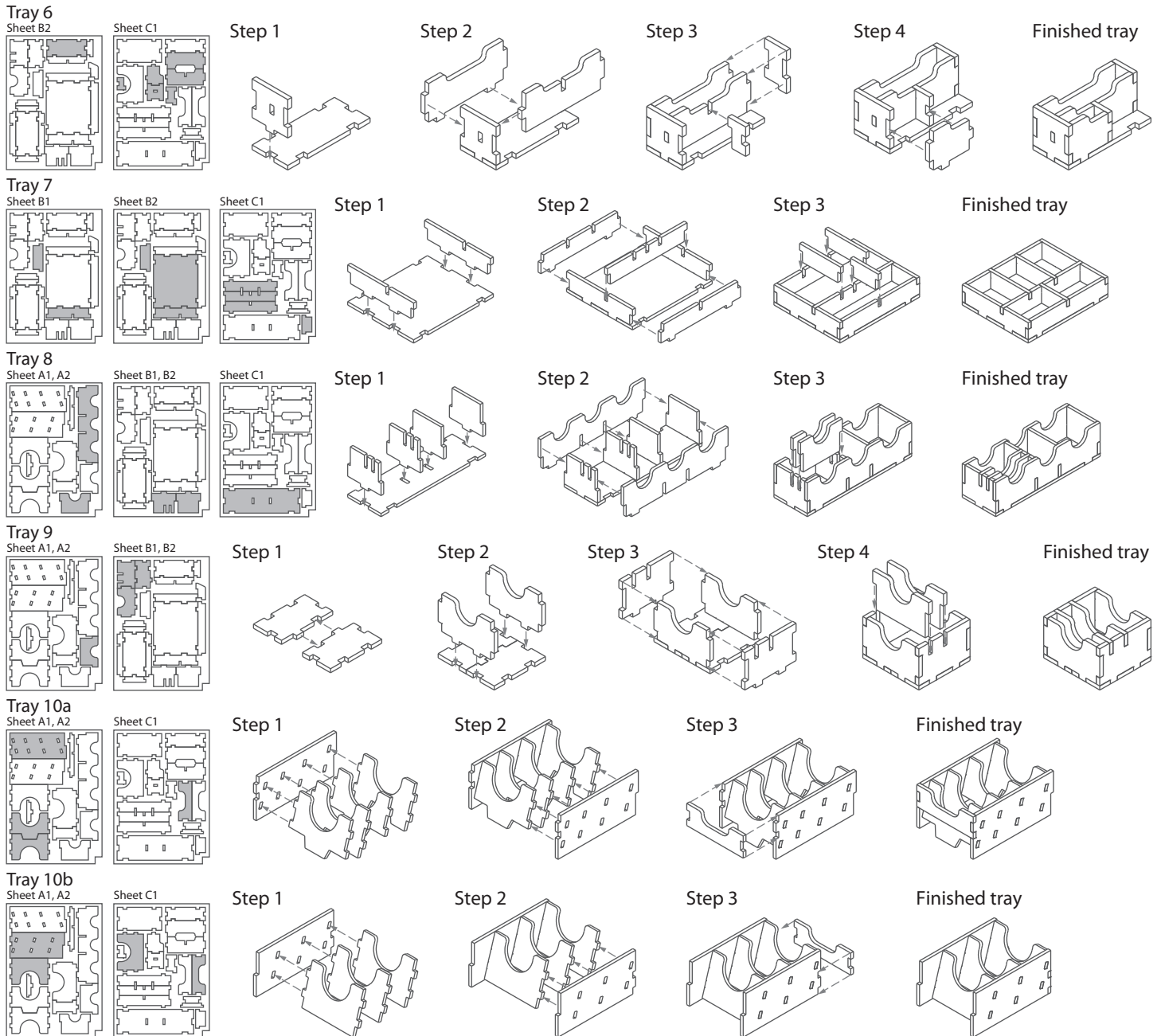
Sheet B1 Sheet B2 Step 1 Step 2 Finished tray

Tray 5

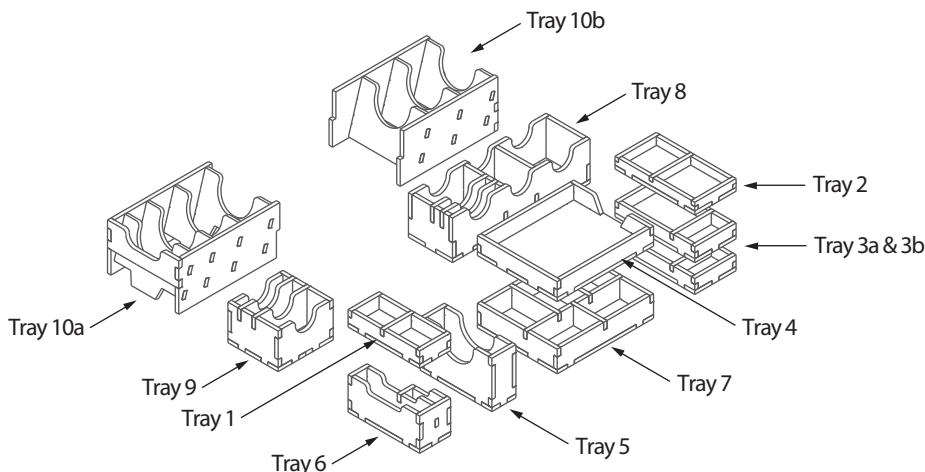
Sheet A1, A2 Sheet C1 Step 1 Step 2 Finished tray

FS-AH3 insert compatible with Arkham Horror® (Third Edition)

incl. the Dead of Night® expansion



FS-AH3



Please check www.foldedspace.net for photos of this insert in use.

Tray legend:

- Tray 1 - dice and marker tokens
- Tray 2 - remnant and anomaly tokens
- Tray 3a - mythos and activation tokens
- Tray 3b - focus and x3 clue/doom tokens
- Tray 4 - unassembled deck holders, and investigator & scenario sheets
- Tray 5 - anomaly cards
- Tray 6 - replacement deck holder card stand
- Tray 7 - clue/doom, damage, horror & money tokens, and plastic stands
- Tray 8 - monster, starting, condition, & spell cards, and investigator tokens
- Tray 9 - ally, item, and special cards
- Tray 10a, b - headline, archive, event, encounter and other cards

Tip: Keep the instructions in the bottom of your board game box as a reminder of how the insert fits together.