

FS-ROOT insert

compatible with Root[®],

incl. The Riverfolk[®], The Underworld[®], The Exiles & Partisans Deck[®], The Vagabond Pack[®], and Resin Clearing Markers[®] expansions



Assembly Instructions

The package contains 4 sheets, two of them are identical to the other two.

The part marked in sheet B2 is to be discarded.

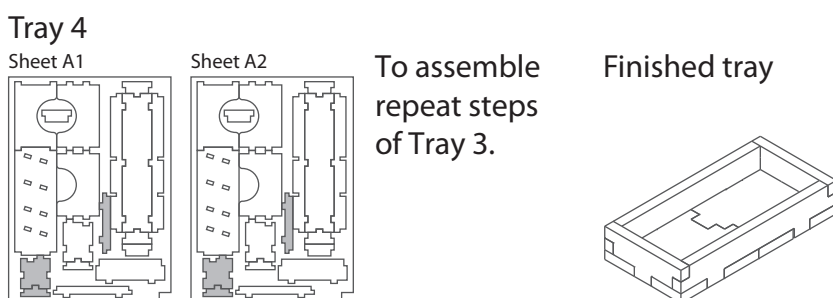
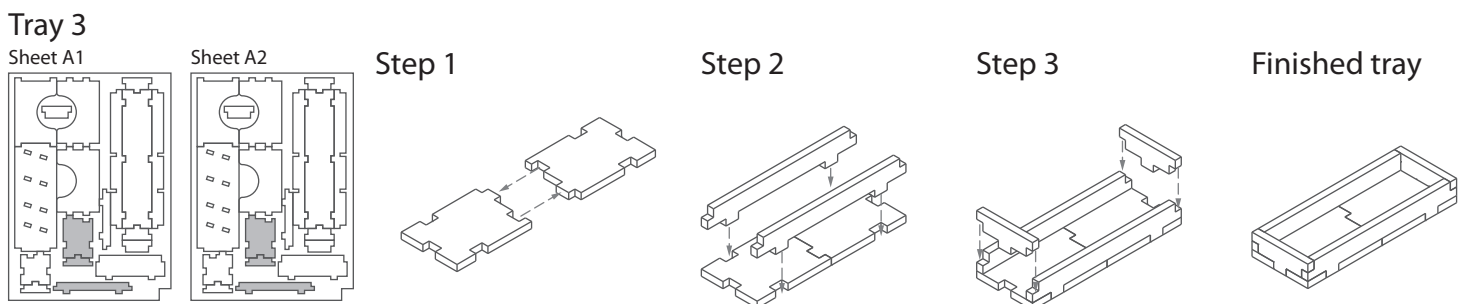
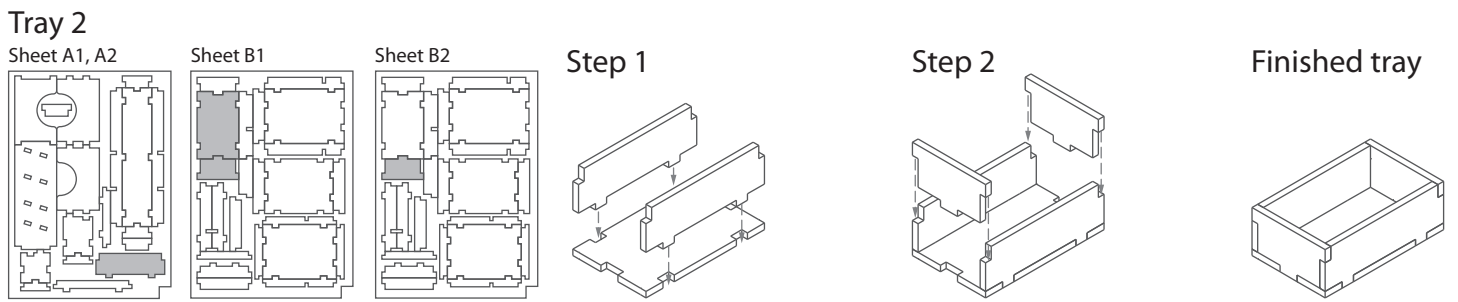
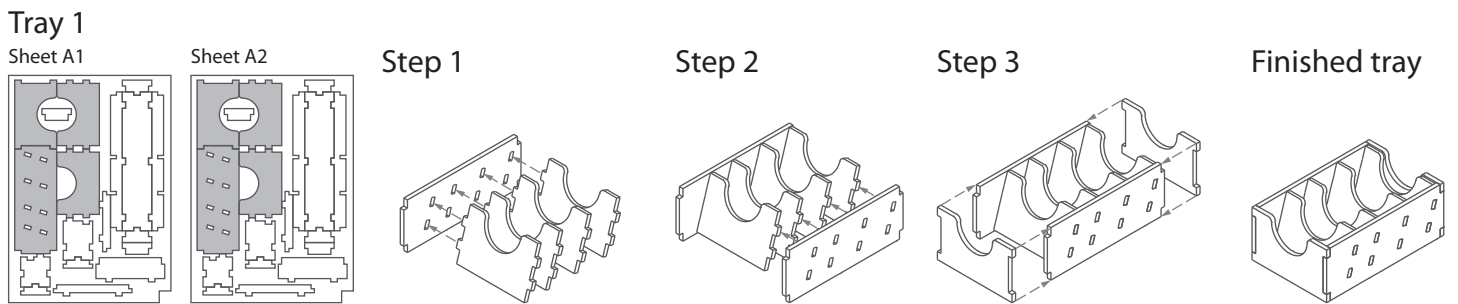
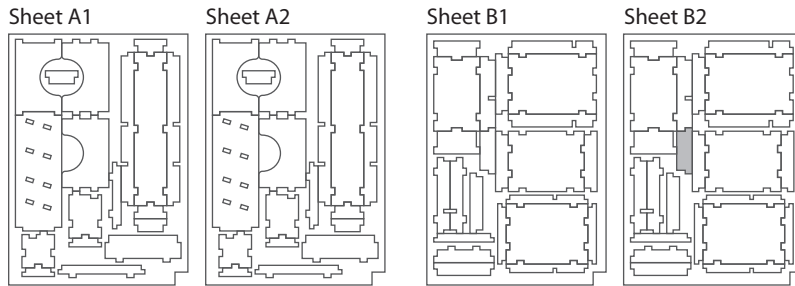
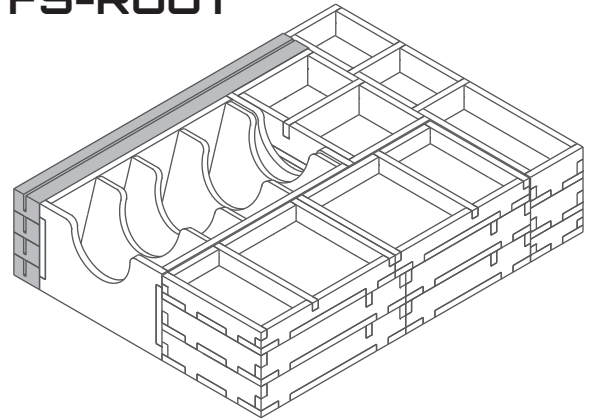
After assembly the trays are placed in three layers in the original game box.

Ordinary PVA glue is required when assembling each tray.

Please make sure you dry-assemble each tray correctly before gluing it together.

Please check www.foldedspace.net for general assembly tips.

FS-ROOT

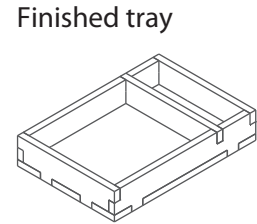
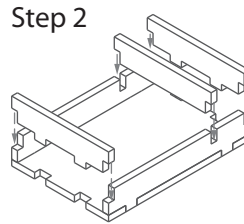
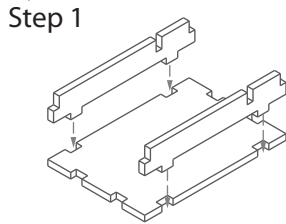
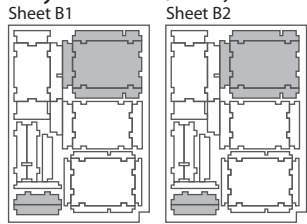


FS-ROOT insert compatible with Root®,

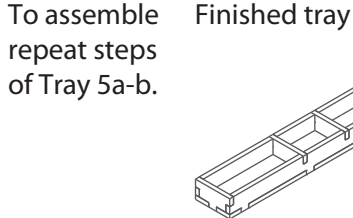
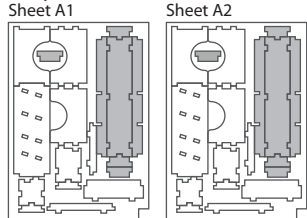
incl. The Riverfolk®, The Underworld®, The Exiles & Partisans Deck®, The Vagabond Pack®, and Resin Clearing Markers® expansions



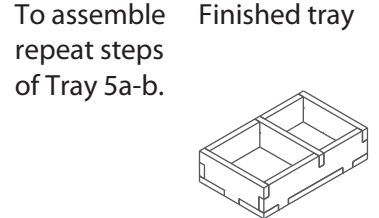
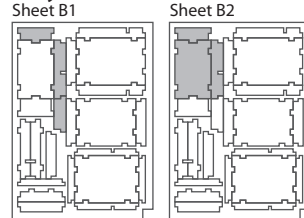
Tray 5a & 5b (the trays are identical)



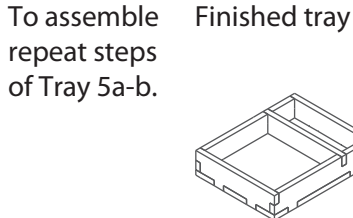
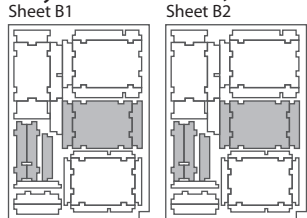
Tray 6a & 6b (the trays are identical)



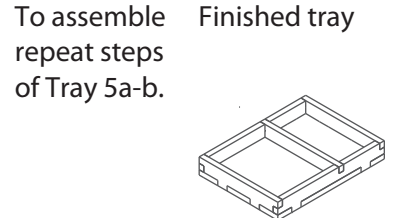
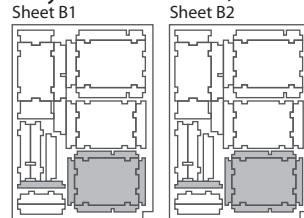
Tray 7



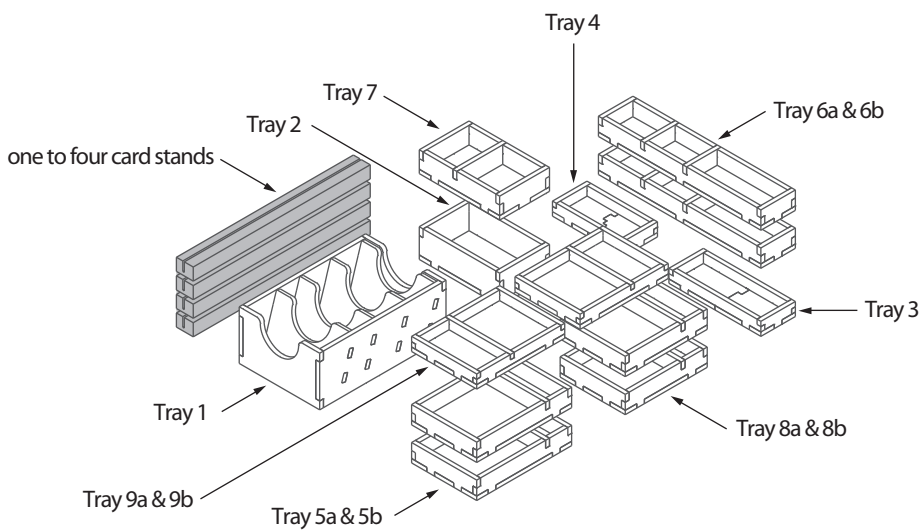
Tray 8a & 8b (the trays are identical)



Tray 9a & 9b (the trays are identical)



FS-ROOT



Please check www.foldedspace.net for photos of this insert in use.

Tray legend:

- Tray 1 - cards split by type
- Tray 2 - resin clearing markers
- Tray 3 - closed path markers
- Tray 4 - lettered tiles for scenarios
- Tray 5a - marquise de cat
- Tray 5b - lizard cult
- Tray 6a - riverfolk company, and clearing markers
- Tray 6b - corvid conspiracy, and ruin tokens
- Tray 7 - dice, ferry & tower pieces
- Tray 8a - underground duchy
- Tray 8b - eyrie dynasties
- Tray 9a - woodland alliance
- Tray 9b - vagabond and item tokens

Note: The insert is designed, together with the rule books, to fill the main game box. The game boards and player boards need to be stored in one of the two expansion boxes. Check out our website for pictures showing how this works.