

FS-KoT insert

compatible with King of Tokyo[®],
incl. Power Up![®] and Halloween[®] expansions

Assembly Instructions

Notes:

The package contains 4 sheets, two of them are identical to the other two.

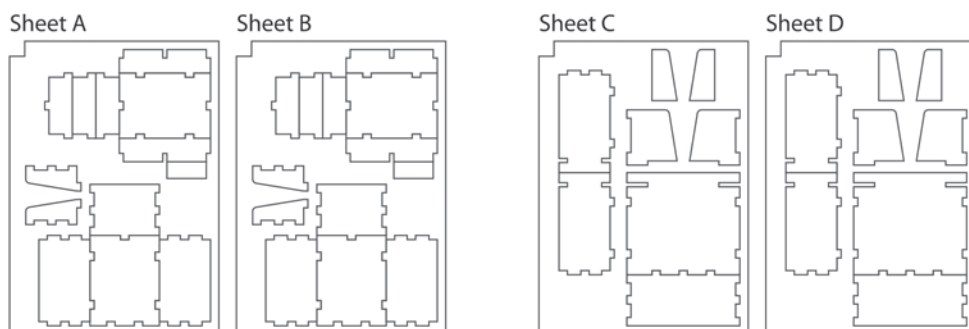
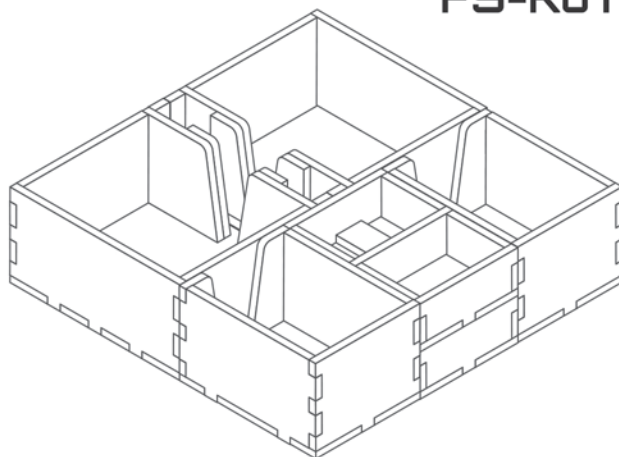
Each tray is doubled.

After assembly the trays are put in two layers in the original game box.

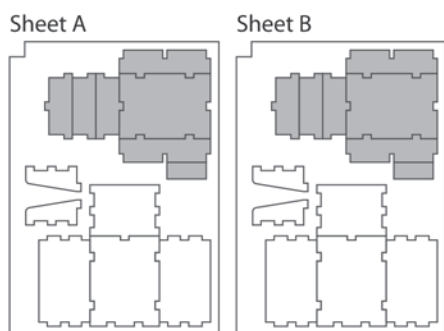
Ordinary PVA glue is required when assembling each tray, for extra strength.

Please make sure you dry-assemble each tray correctly before gluing it together.

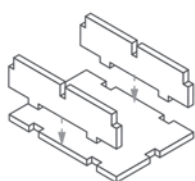
Please check www.foldedspace.net for general assembly tips.

FS-KoT


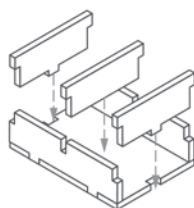
Tray 1a & 1b (the trays are identical)



Step 1

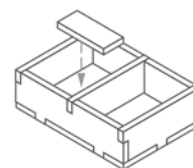


Step 2

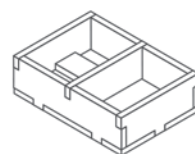


Step 3

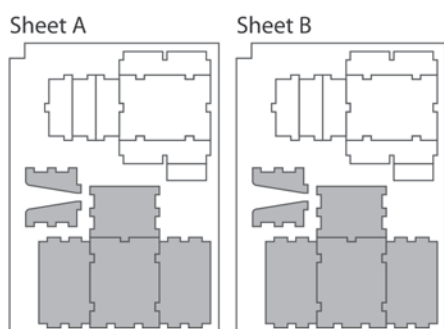
(glue roughly
in the middle)



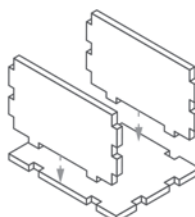
Finished tray



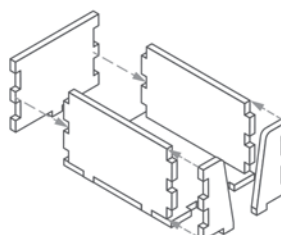
Tray 2a & 2b (the trays are identical)



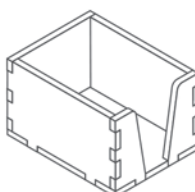
Step 1



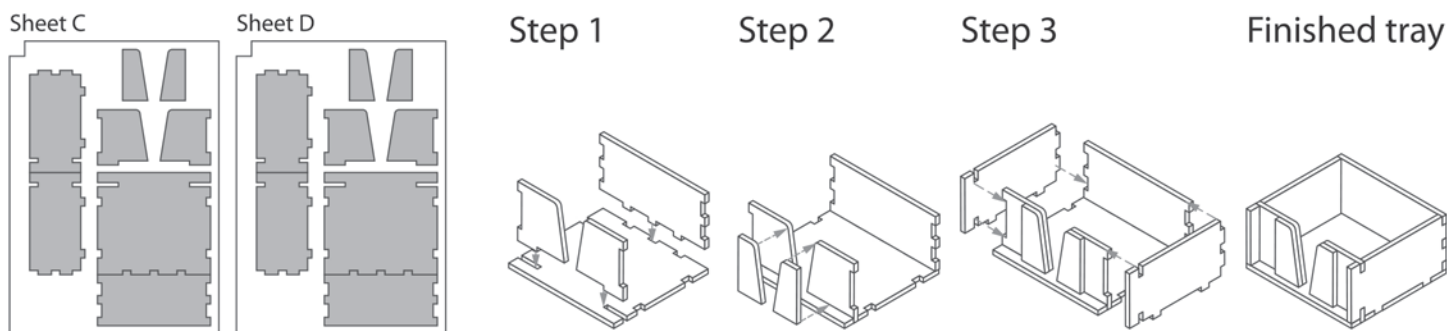
Step 2



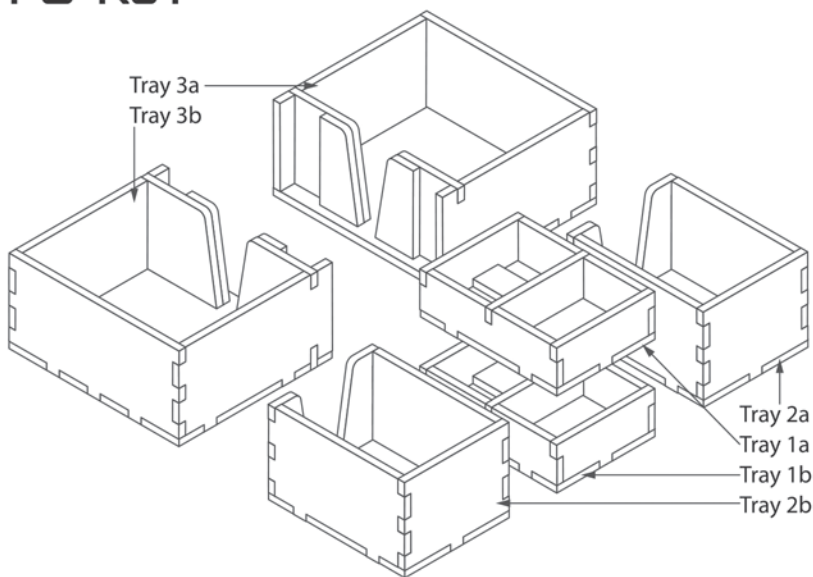
Finished tray



Tray 3a & 3b (the trays are identical)



FS-KoT



Tray legend:

- Tray 1a - energy cubes, other tokens
- Tray 1b - dice
- Tray 2a - power cards
- Tray 2b - evolution cards
- Tray 3a - monsters, bases
- Tray 3b - monster boards

Note: In between trays 3a and 3b are two slots for storing 3 dice each.

Please check www.foldedspace.net for photos of this insert in use.

Tip: Keep the instructions in the bottom of your board game box as a reminder of how the insert fits together.