

FS-NFA insert
compatible with Near and Far®,
and the Amber Mines® expansion

Assembly Instructions

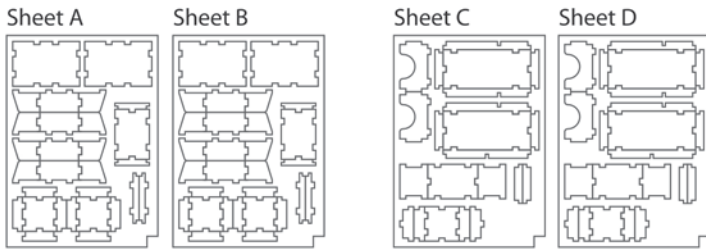
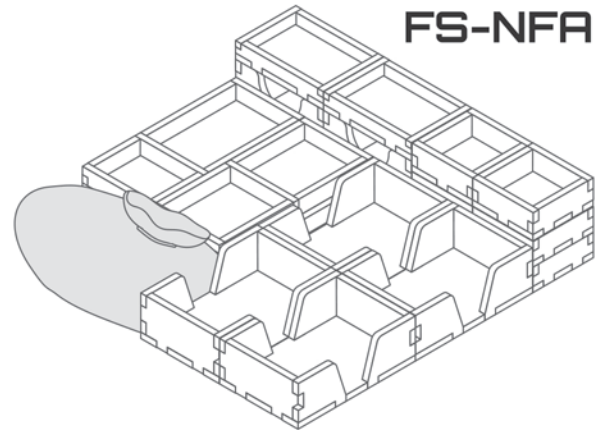
The package contains 4 sheets, two of them are identical to the other two.

After assembly the trays are put in layers in the original game box.

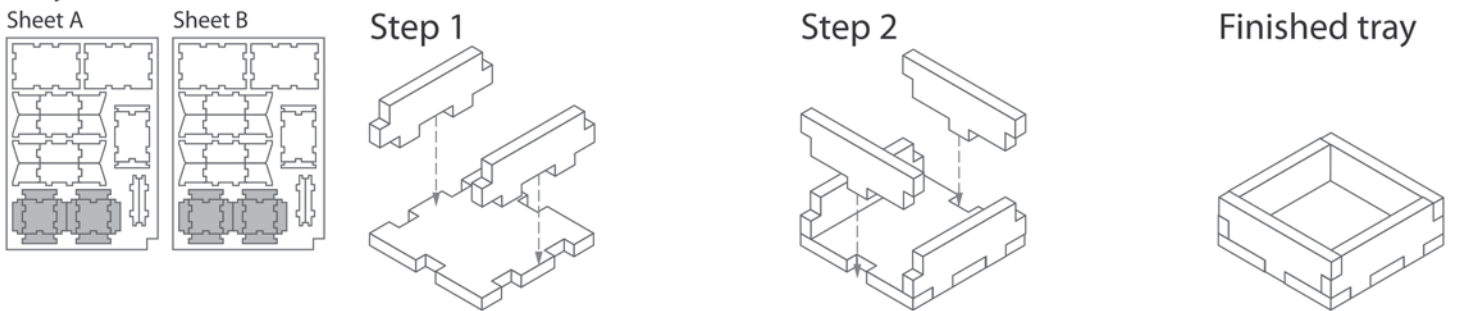
Ordinary PVA glue is required when assembling each tray, for extra strength.

Please make sure you dry-assemble each tray correctly before gluing it together.

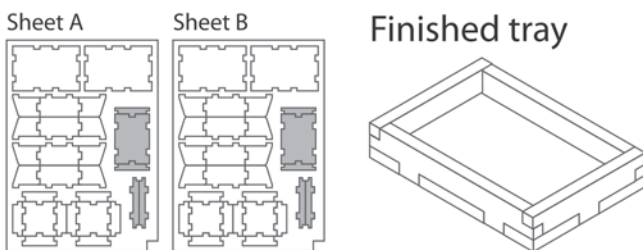
Please check www.foldedspace.net for general assembly tips.



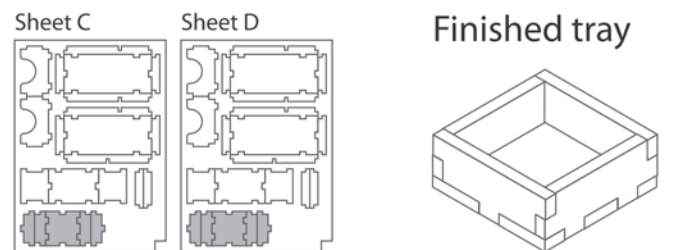
Tray 1a, 1b, 1c & 1d (the trays are identical)



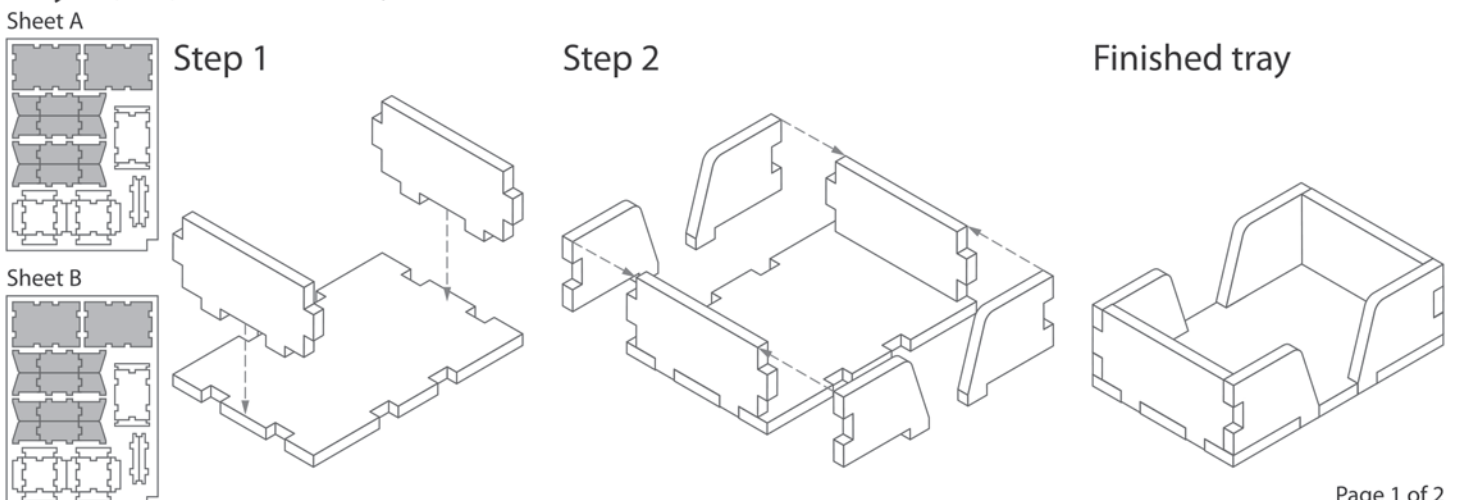
Tray 2a & 2b - the trays are identical; assemble as Tray 1



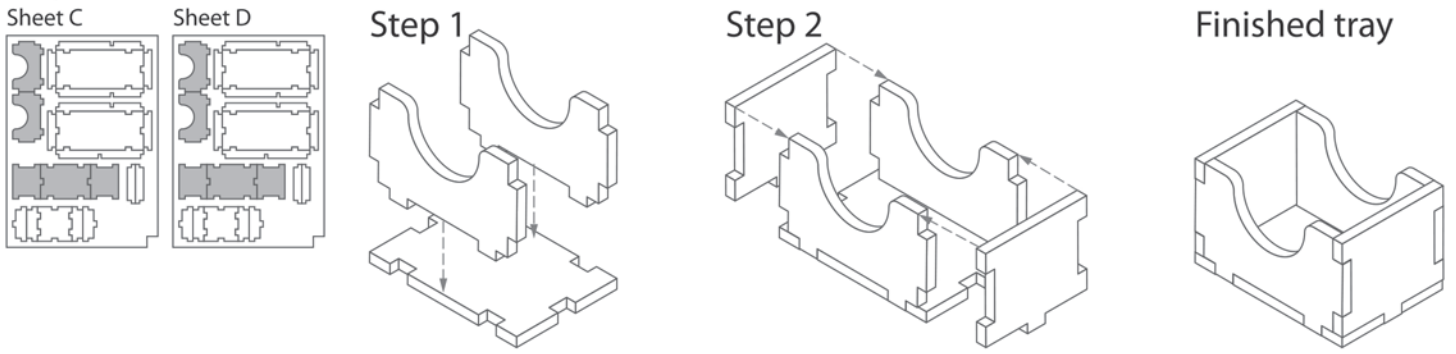
Tray 3a & 3b - the trays are identical; assemble as Tray 1



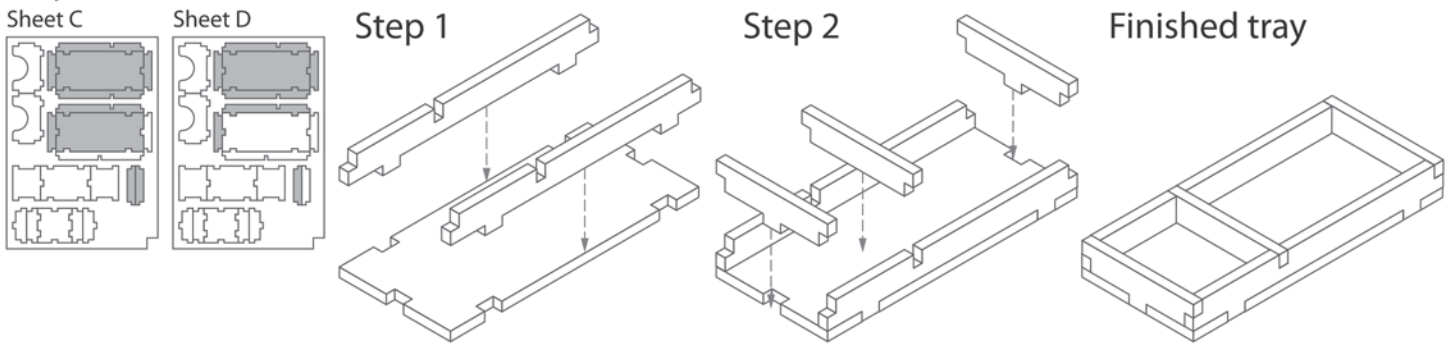
Tray 4a, 4b, 4c & 4d (the trays are identical)



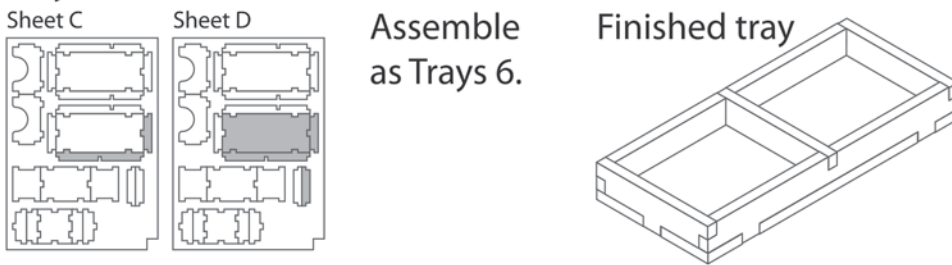
Tray 5a & 5b (the trays are identical)



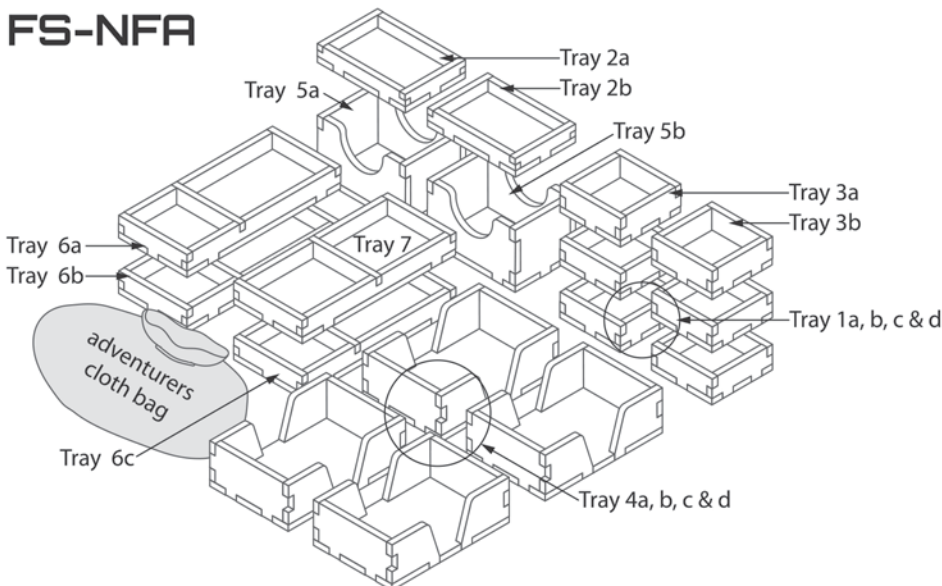
Tray 6a, 6b & 6c (the trays are identical)



Tray 7



FS-NFA



Please check www.foldedspace.net for photos of this insert in use.

Tray legend:

- Tray 1a, b, c, d - player camp pieces
- Tray 2a - quest tokens
- Tray 2b - reputation and heart markers
- Tray 3a - dice
- Tray 3b - dice and stands
- Tray 4a, b, c, d - large card decks
- Tray 5a, b - small card decks
- Tray 6a - gems and coins
- Tray 6b - faction tokens and coins
- Tray 6c - animal companions and standees
- Tray 7 - pack animals and food tokens