

# FS-KDM+ insert compatible with Kingdom Death Monster® expansions,

with space for 560 more standard-sized cards and 300 more gear cards, all sleeved



## Assembly Instructions

The package contains 4 identical sheets.

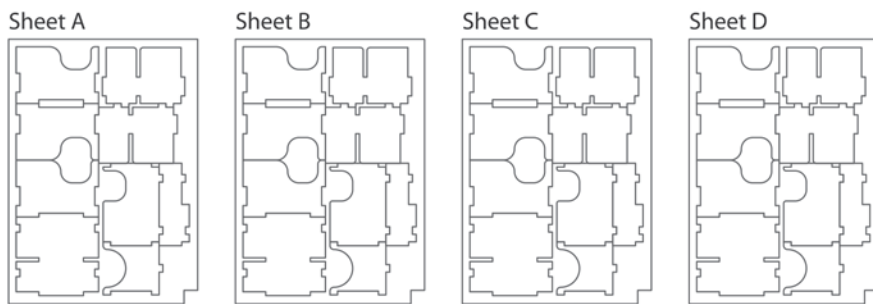
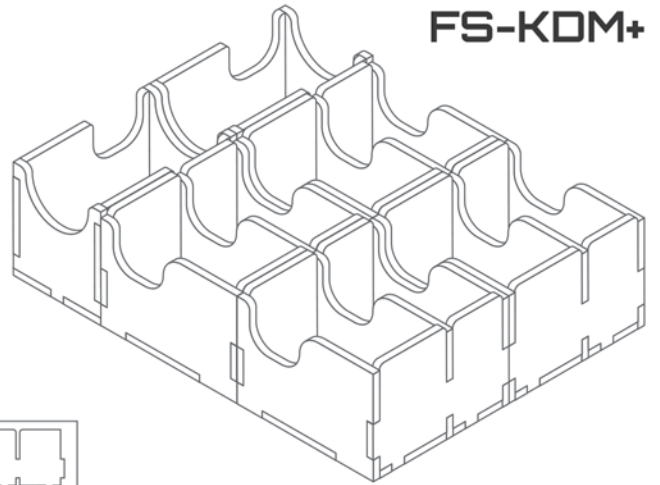
Each tray is doubled or quadrupled.

After assembly the trays are put in the original game box.

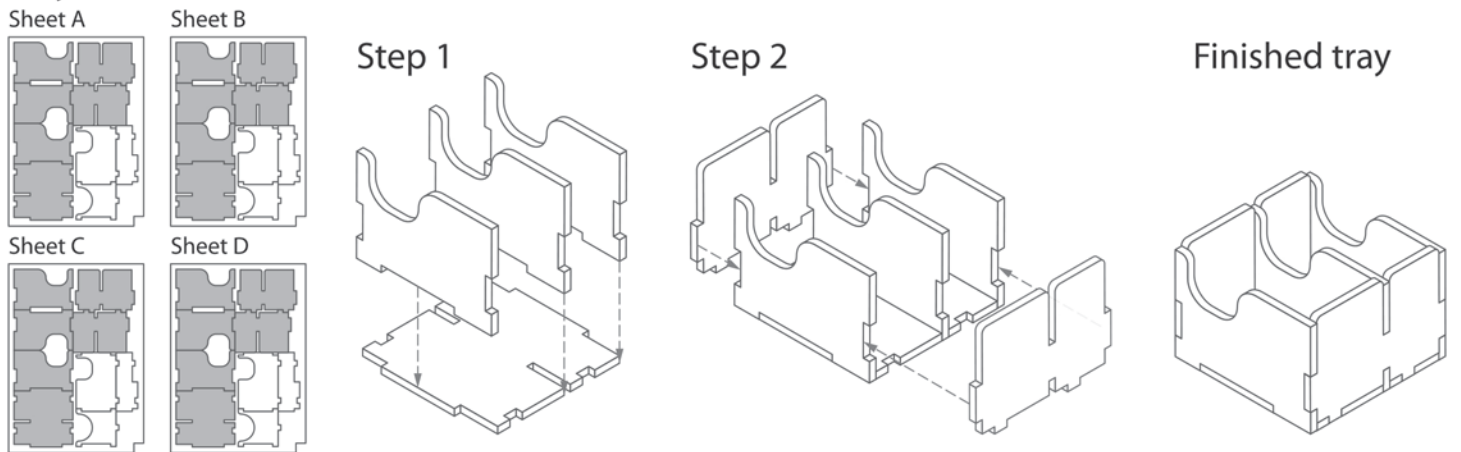
Ordinary PVA glue is required when assembling each tray, for extra strength.

Please make sure you dry-assemble each tray correctly before gluing it together.

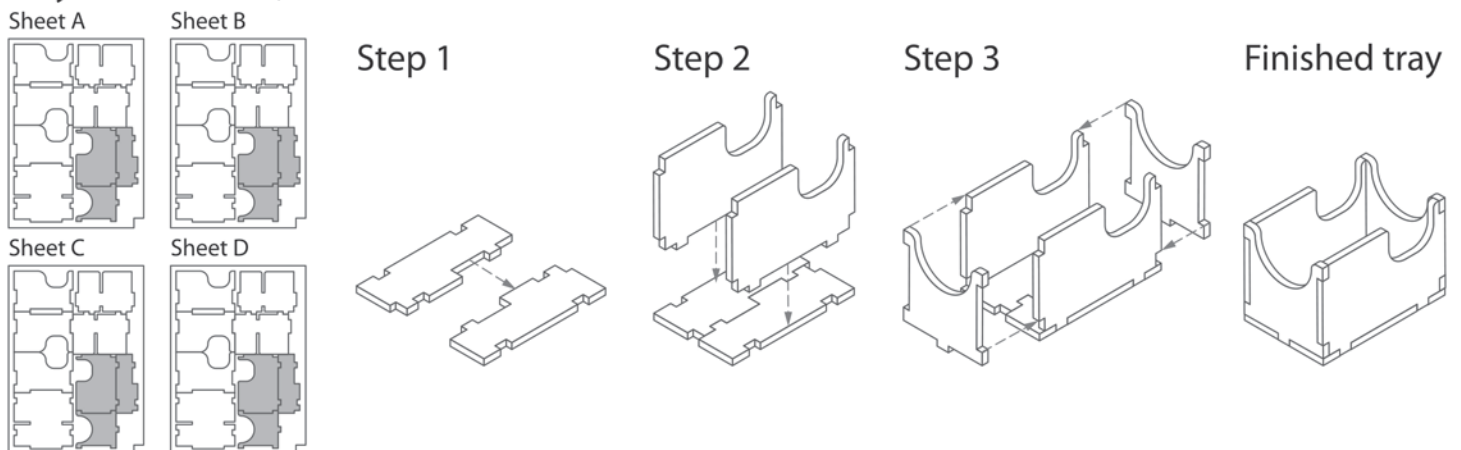
Please check [www.foldedspace.net](http://www.foldedspace.net) for general assembly tips.



### Tray 1a, 1b, 1c & 1d (the trays are identical)

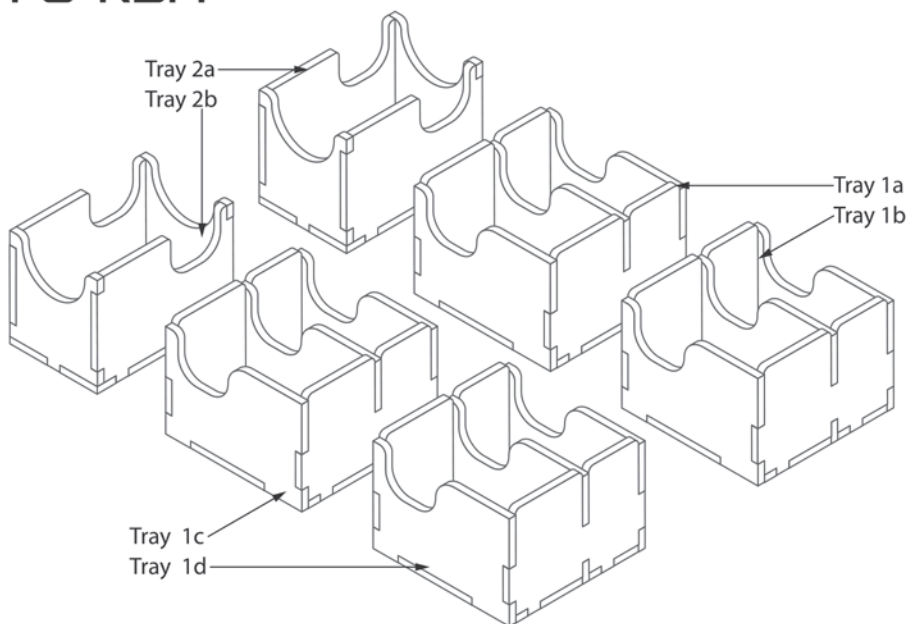


### Tray 2a & 2b (the trays are identical)



FS-KDM+ insert compatible with  
Kingdom Death Monster® expansions,  
with space for 560 more standard-sized cards and 300 more gear cards, all sleeved

## FS-KDM+



Please check [www.foldedspace.net](http://www.foldedspace.net) for photos of this insert in use.

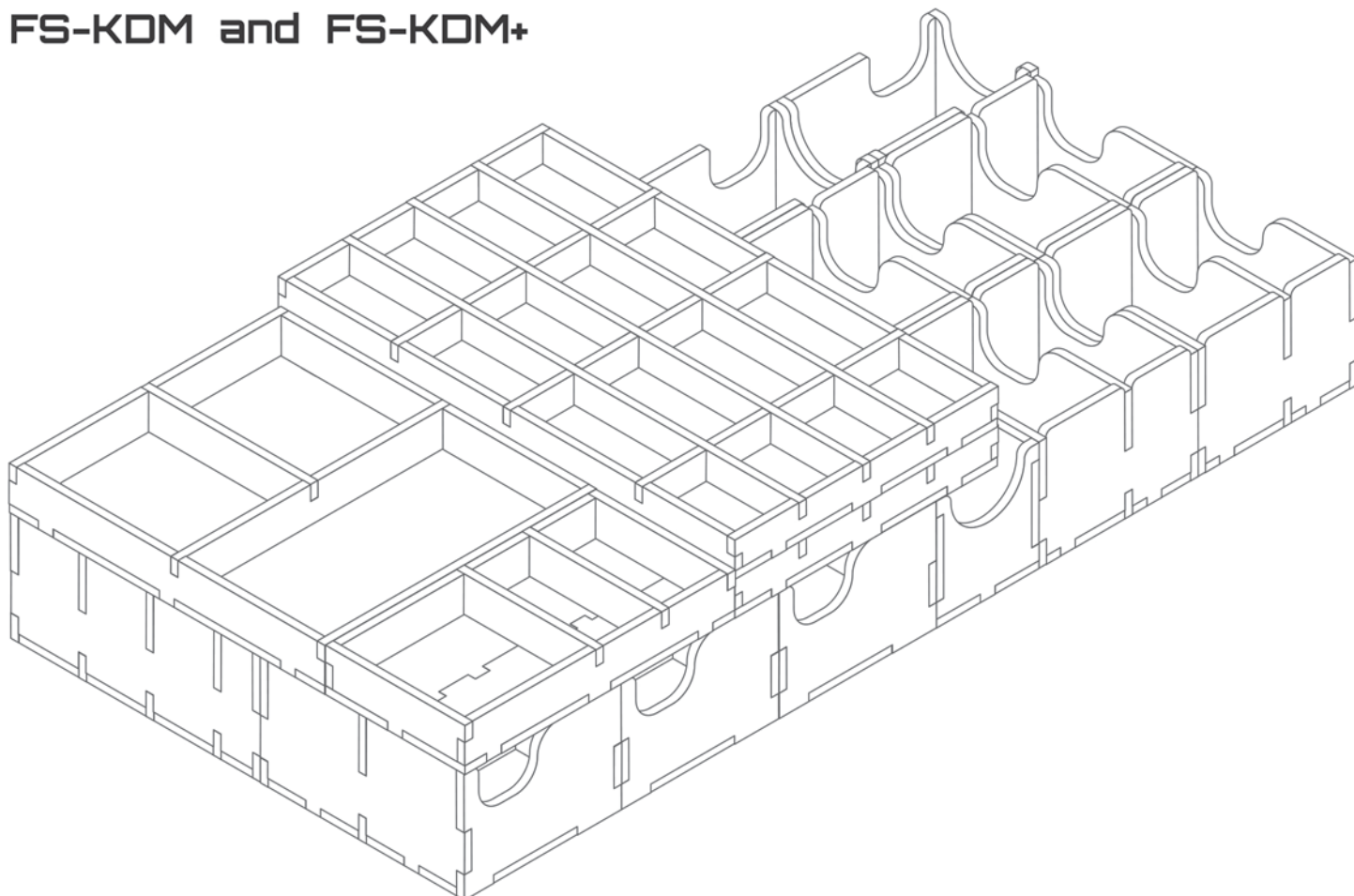
### Tray legend:

Tray 1a, b - monster cards  
Tray 1c, d - other cards  
Tray 2a, b - gear cards

Note: This insert is designed to work together with FS-KDM.

When this insert is combined with the FS-KDM insert they fill the game box. When both inserts are used the total number of sleeved standard cards is increased to 1,860 and the gear cards to 740. With gear cards in a binder folder the total standard cards is increased to 2,250.

## FS-KDM and FS-KDM+



**Tip:** Keep the instructions in the bottom of your board game box as a reminder of how the insert fits together.