

FS-FOD insert

compatible with A Feast for Odin[®],

incl. the Mini Expansion #1[®] (Lofoten, Orkney, and Tierra del Fuego)



Assembly Instructions

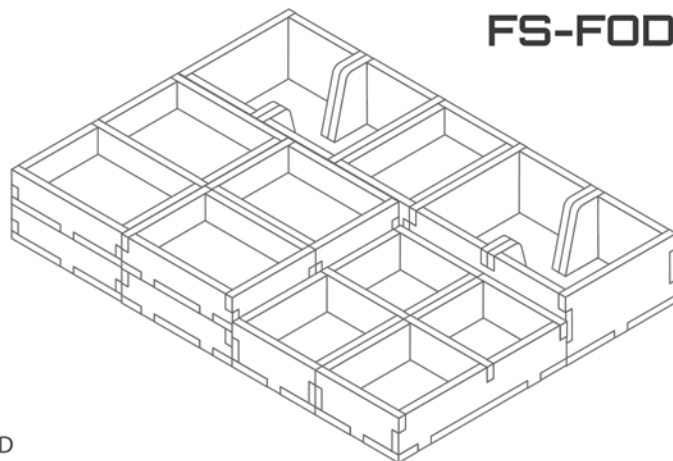
The package contains 4 sheets, two of them are identical to the other two.

After assembly the trays are put in two layers in the original game box.

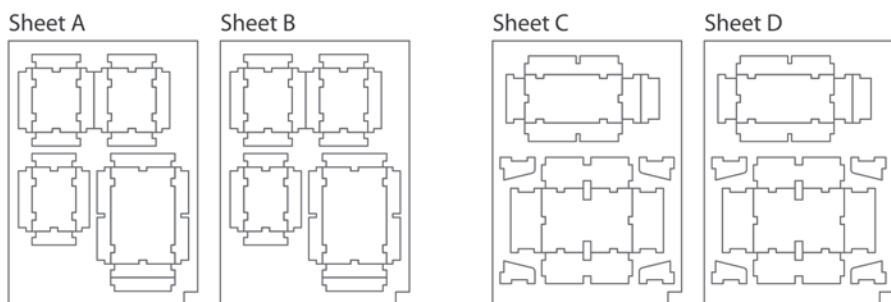
Ordinary PVA glue is required when assembling each tray, for extra strength.

Please make sure you dry-assemble each tray correctly before gluing it together.

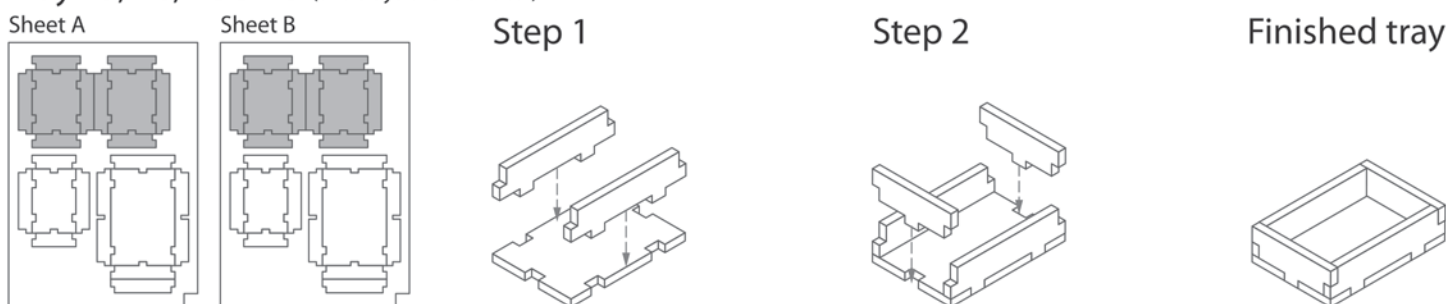
Please check www.foldedspace.net for general assembly tips.



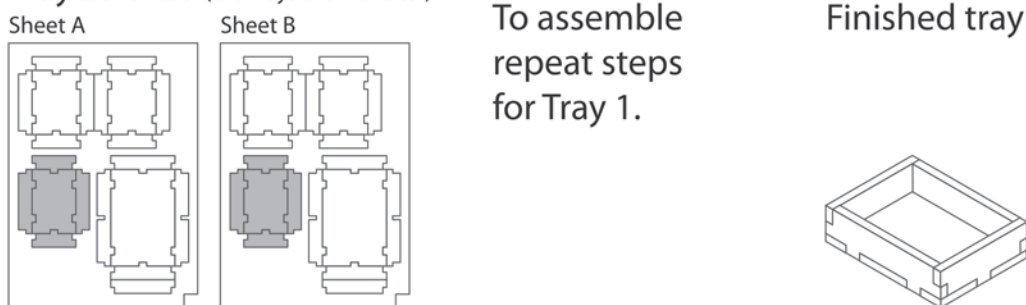
FS-FOD



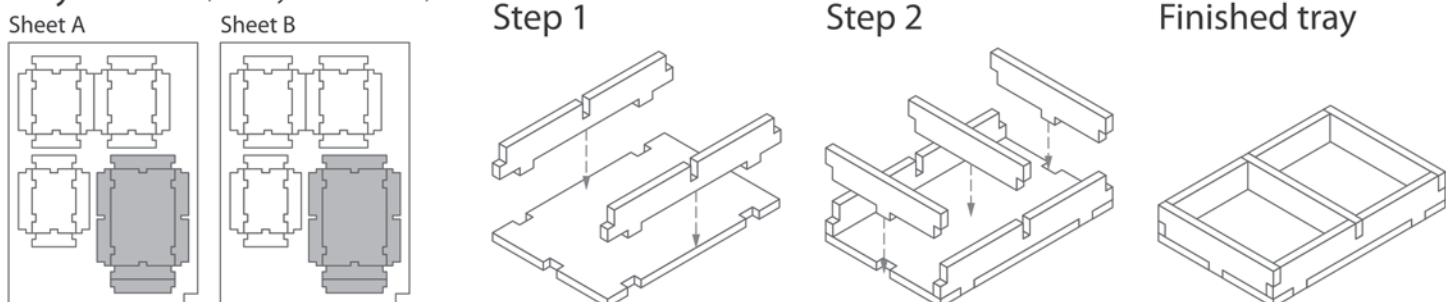
Tray 1a, 1b, 1c & 1d (the trays are identical)



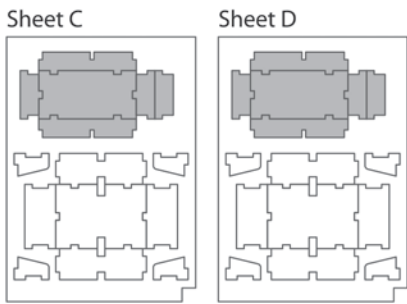
Tray 2a & 2b (the trays are identical)



Tray 3a & 3b (the trays are identical)

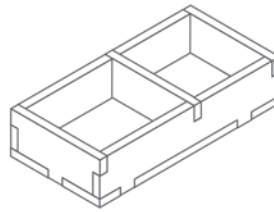


Tray 4a & 4b (the trays are identical)

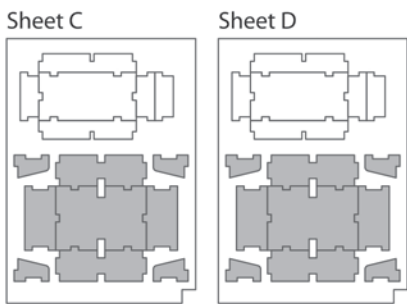


To assemble
repeat steps
for Tray 3.

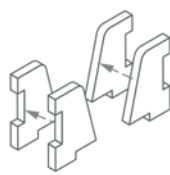
Finished tray



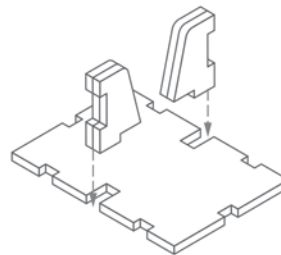
Tray 5a & 5b (the trays are identical)



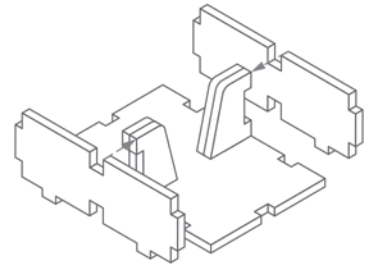
Step 1



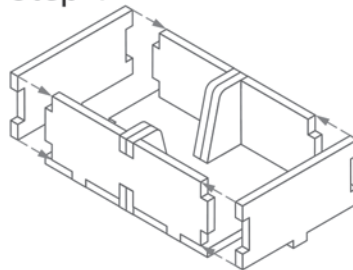
Step 2



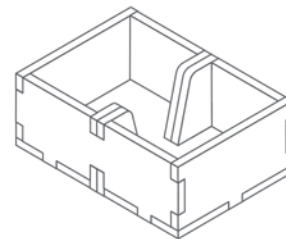
Step 3



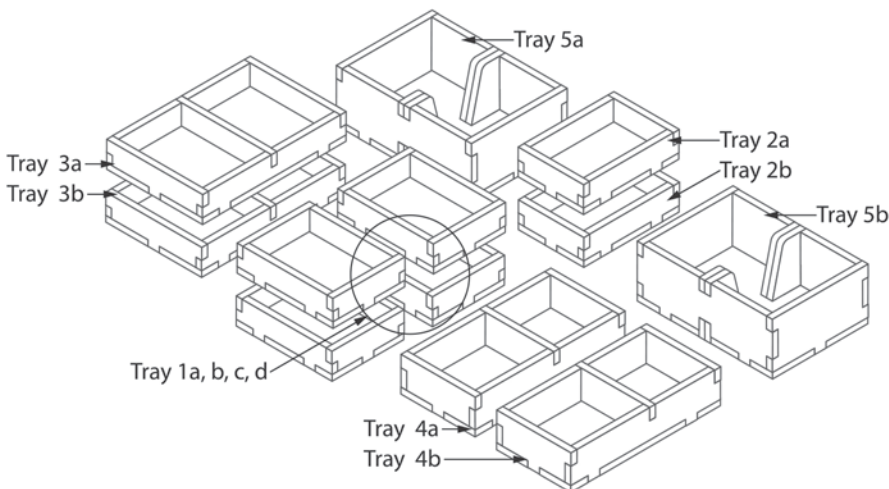
Step 4



Finished tray



FS-FOD



Tray legend:

- Tray 1a, b, c, d - player pieces
- Tray 2a - whaling boats
- Tray 2b - dice and other tokens
- Tray 3a - silver coins
- Tray 3b - ship and special tiles
- Tray 4a - resource tokens
- Tray 4b - resource tokens
- Tray 5a - occupation cards
- Tray 5b - occupation and weapon cards

Note: The boards and other tiles, together with the black plastic trays, need to be stored underneath the insert trays. Please check www.foldedspace.net for details.