

## Assembly Instructions

The package contains 4 sheets, two of them are identical to the other two.

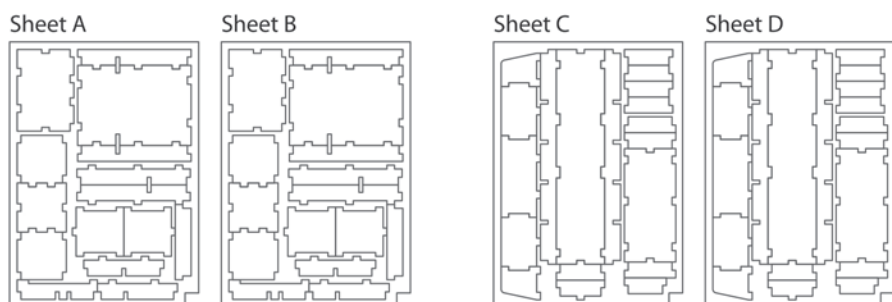
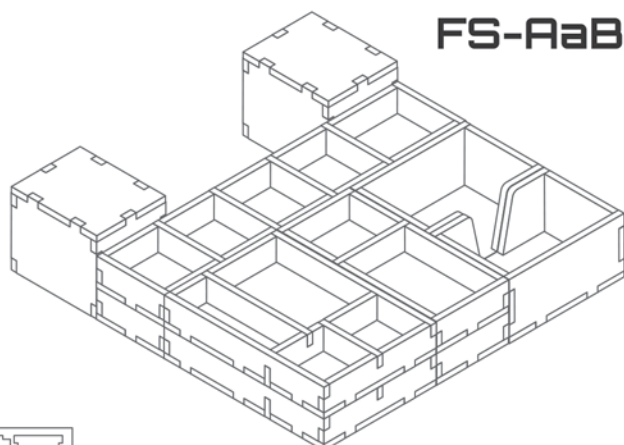
Each tray is doubled.

After assembly the trays are put in two layers in the original game box.

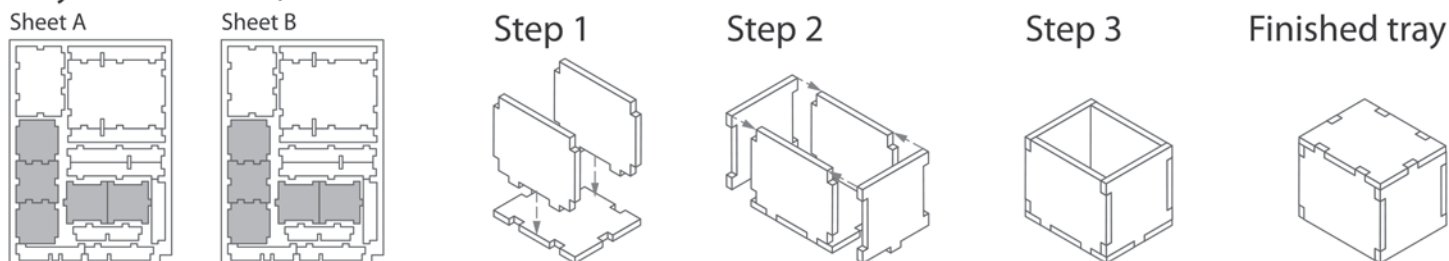
Ordinary PVA glue is required when assembling each tray, for extra strength.

Please make sure you dry-assemble each tray correctly before gluing it together.

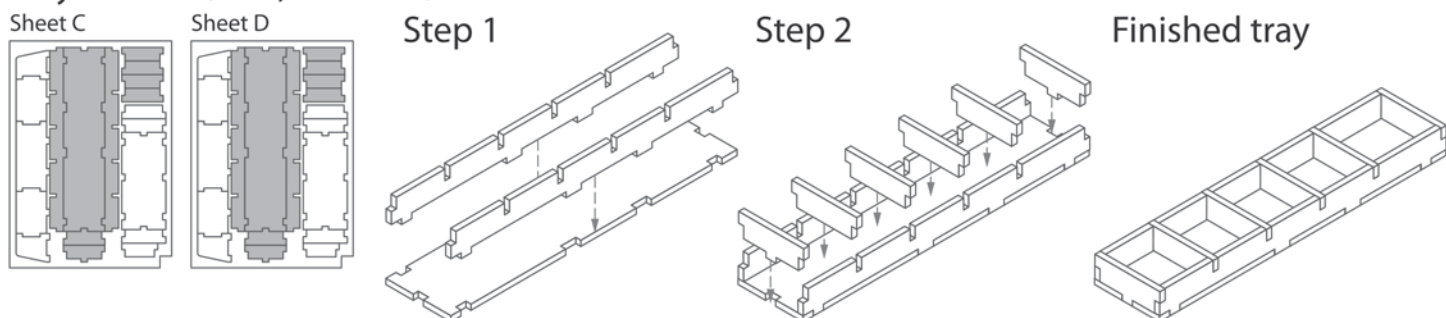
Please check [www.foldedspace.net](http://www.foldedspace.net) for general assembly tips.



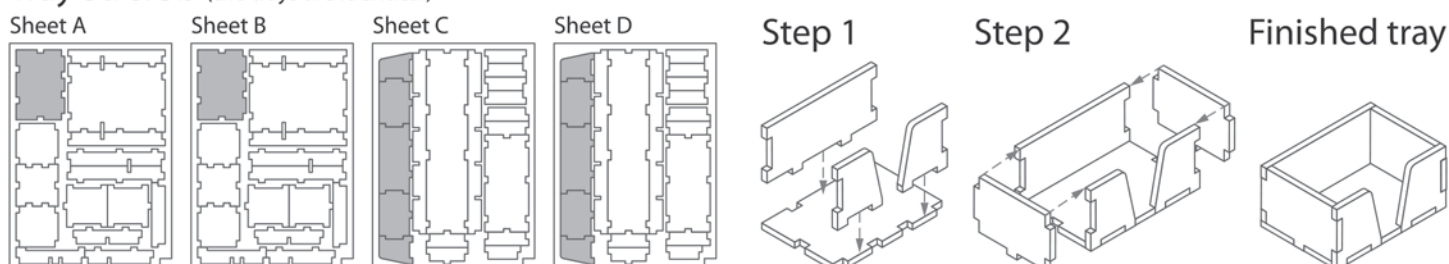
### Tray 1a & 1b (the trays are identical)



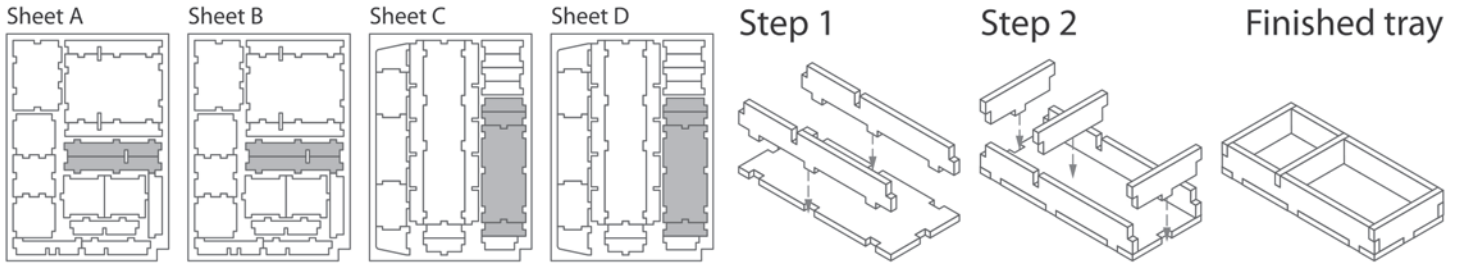
### Tray 2a & 2b (the trays are identical)



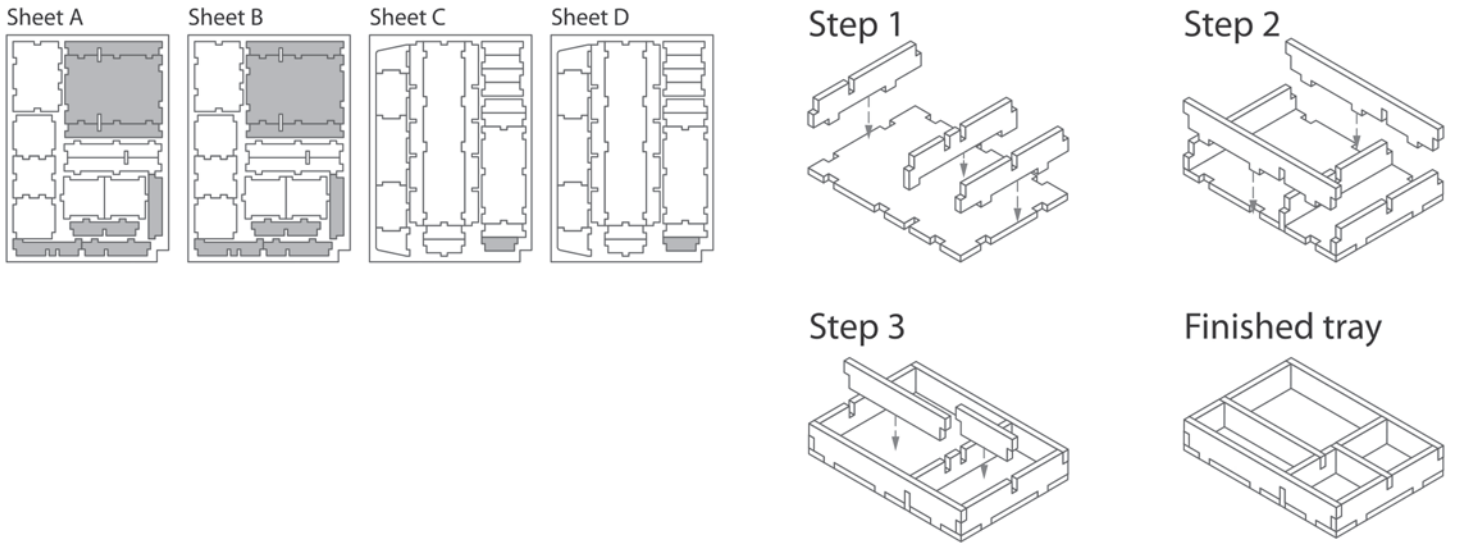
### Tray 3a & 3b (the trays are identical)



**Tray 4a & 4b** (the trays are identical)



**Tray 5a & 5b** (the trays are identical)



Please check [www.foldedspace.net](http://www.foldedspace.net) for photos of this insert in use.

**FS-AaB**

**Tray legend:**

- Tray 1a, b - space filler trays
- Tray 2a - goods and cider tokens
- Tray 2b - goods and potion tokens
- Tray 3a - house cards
- Tray 3b - cave cards
- Tray 4a - villagers and cubes
- Tray 4b - villagers and dice
- Tray 5a - coins and special villagers
- Tray 5b - expanded edition tokens

Note: The space filler trays hold the remaining trays in place underneath the game rules and boards.

