

FS-RUS insert compatible with Russian Railroads®, incl. German Railroads® expansion

Assembly Instructions

Notes:

The package contains 4 sheets, two of them are identical to the other two.

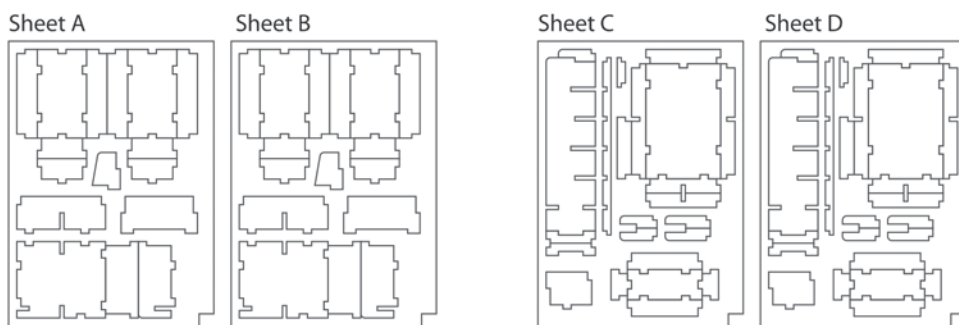
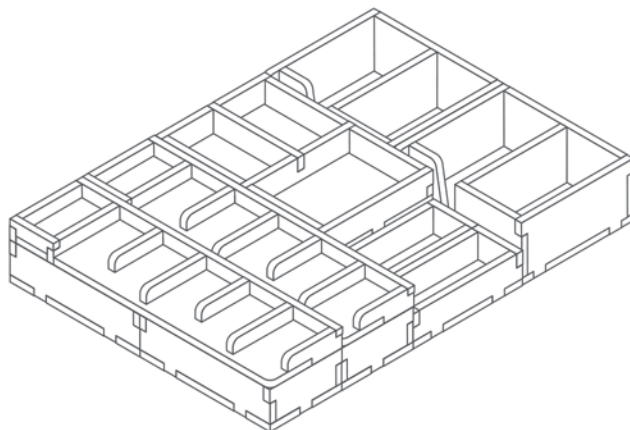
Each tray is either doubled or quadrupled.

After assembly the trays are put in two layers in the original game box.

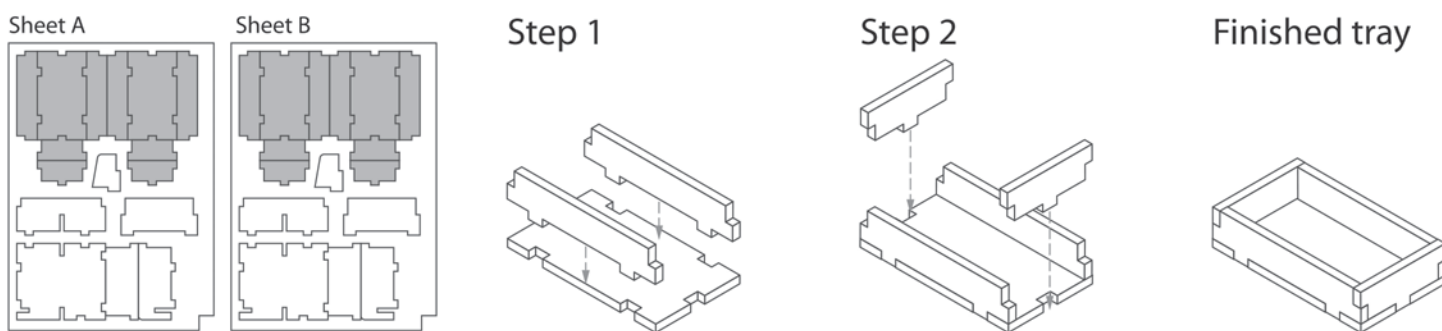
Ordinary PVA glue is required when assembling each tray, for extra strength.

Please make sure you dry-assemble each tray correctly before gluing it together.

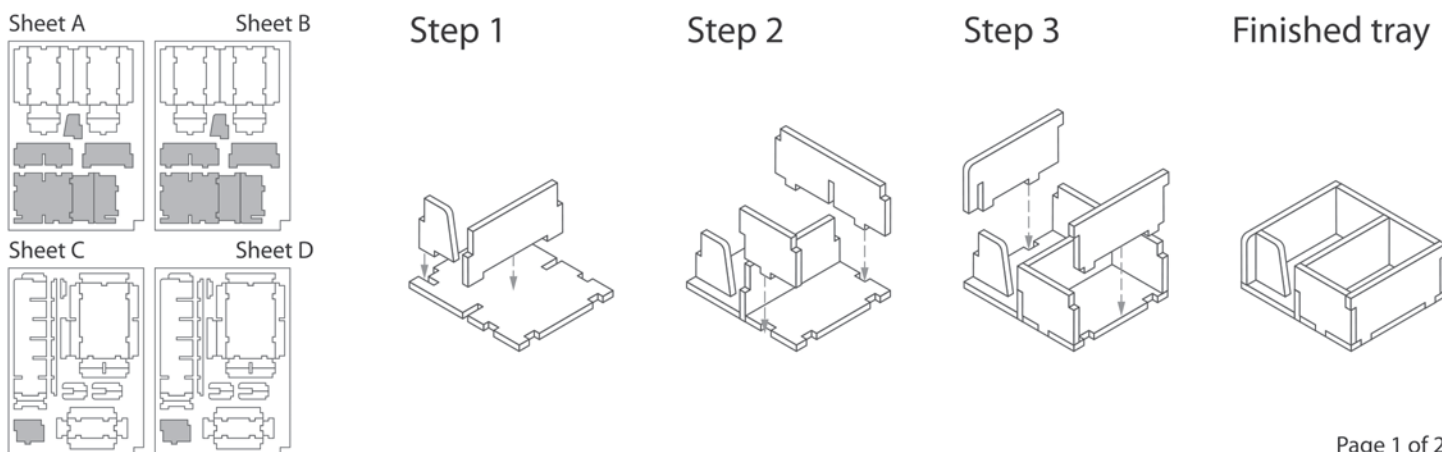
Please check www.foldedspace.net for general assembly tips.

FS-RUS


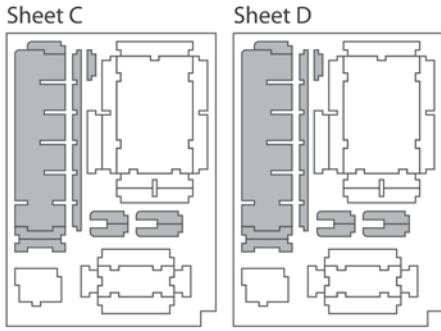
Tray 1a, 1b, 1c & 1d (the trays are identical)



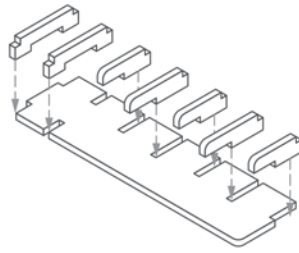
Tray 2a & 2b (the trays are identical)



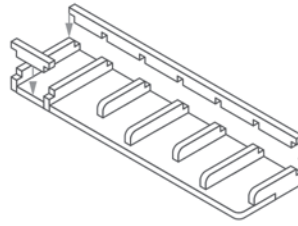
Tray 3a & 3b (the trays are identical)



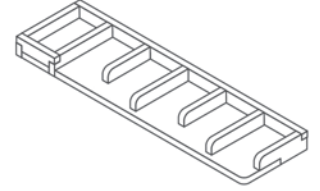
Step 1



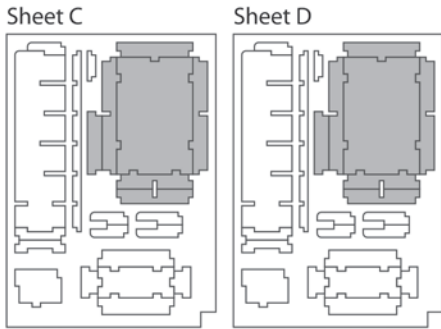
Step 2



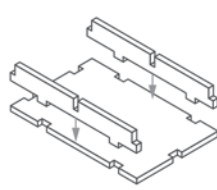
Finished tray



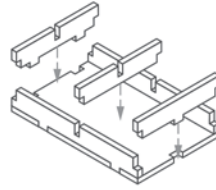
Tray 4a & 4b (the trays are identical)



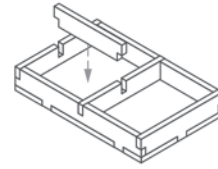
Step 1



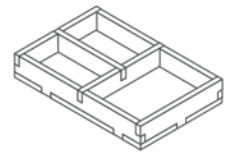
Step 2



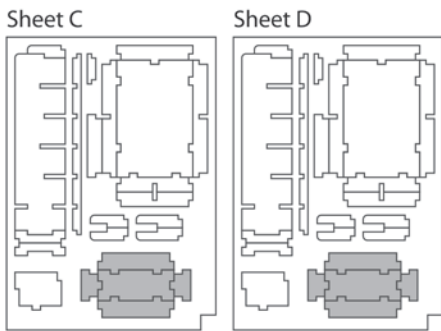
Step 3



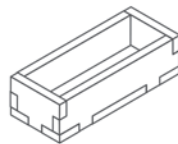
Finished tray



Tray 5a & 5b (the trays are identical)



To assemble repeat steps for Tray 1.



Tray legend:

- Tray 1a - player pieces
- Tray 1b - player pieces
- Tray 1c - player pieces
- Tray 1d - player pieces
- Tray 2a - cards, coal wagons
- Tray 2b - railroad extensions, other tiles
- Tray 3a - locomotives, special workers
- Tray 3b - locomotives, special workers
- Tray 4a - roubles, point tokens, income markers
- Tray 4b - foundries, doubler tokens, ? tokens
- Tray 5a - engineers
- Tray 5b - engineers

FS-RUS

Please check www.foldedspace.net for photos of this insert in use.

