

FS-IST insert
 compatible with Istanbul[®],
 incl. Mocha & Baksheesh[®] and Letters & Seals[®] expansions



Assembly Instructions

The package contains 6 sheets, three of them are identical to the other three.

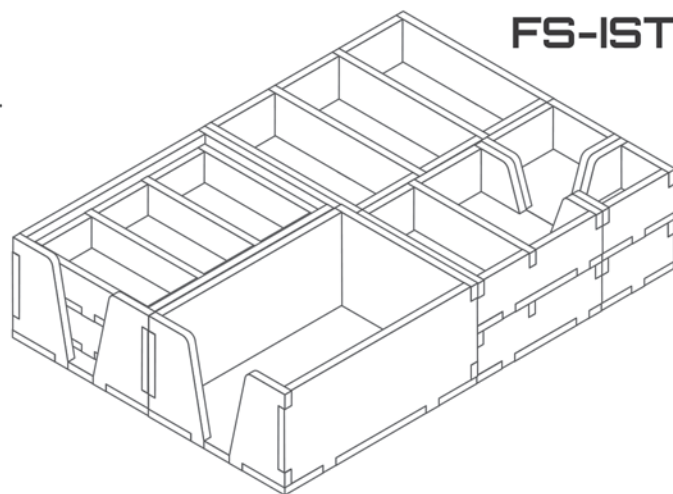
Each tray is doubled.

After assembly the trays are put in two layers in the original game box.

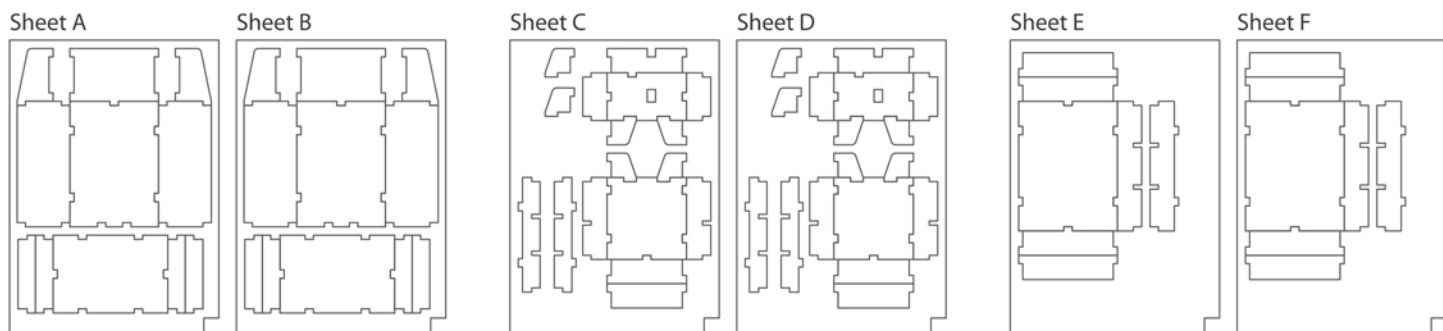
Ordinary PVA glue is required when assembling each tray, for extra strength.

Please make sure you dry-assemble each tray correctly before gluing it together.

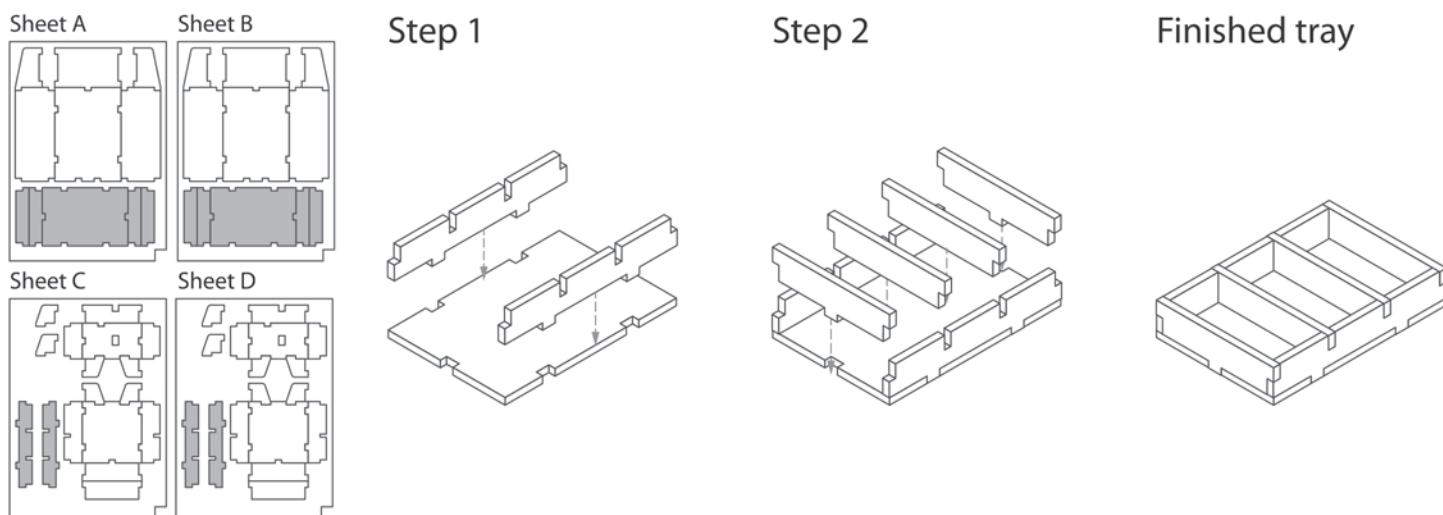
Please check www.foldedspace.net for general assembly tips.



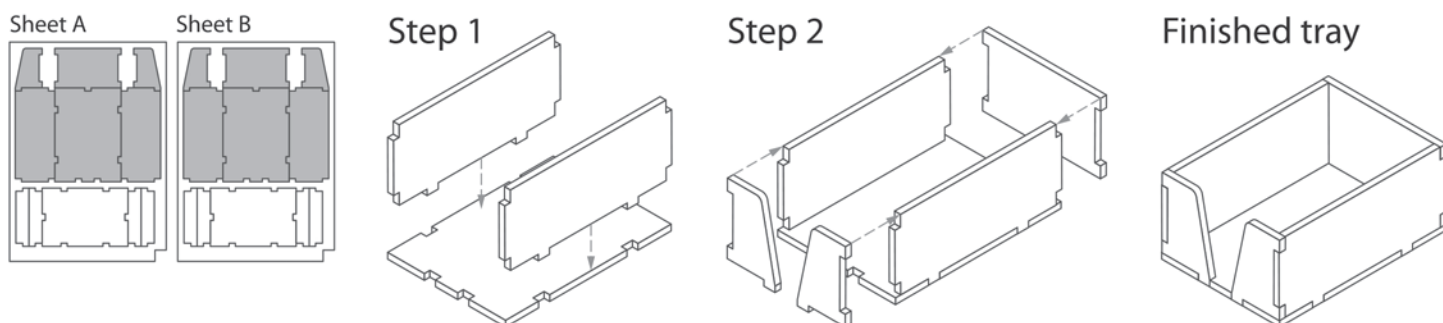
FS-IST



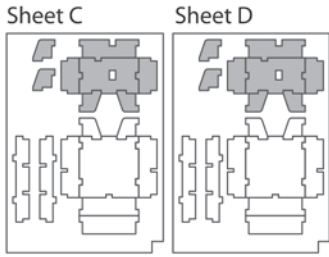
Tray 1a & 1b (the trays are identical)



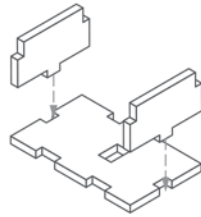
Tray 2a & 2b (the trays are identical)



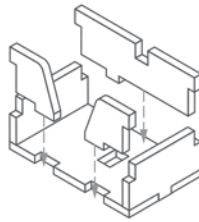
Tray 3a & 3b (the trays are identical)



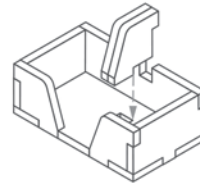
Step 1



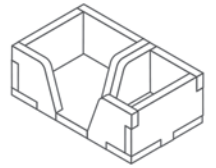
Step 2



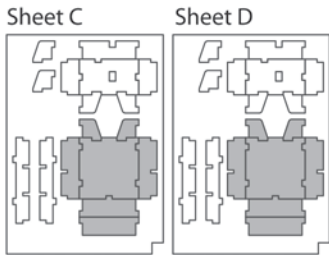
Step 3



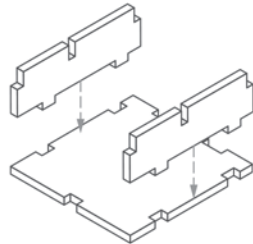
Finished tray



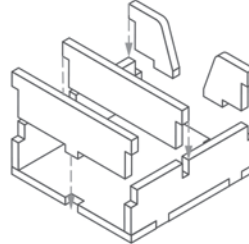
Tray 4a & 4b (the trays are identical)



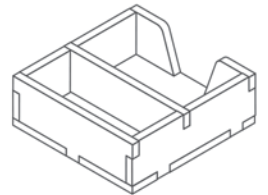
Step 1



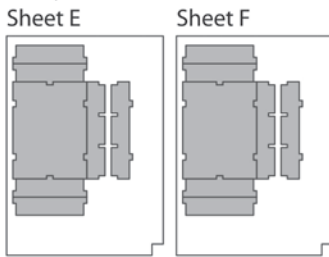
Step 2



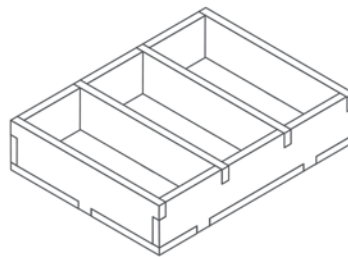
Finished tray



Tray 5a & 5b (the trays are identical)

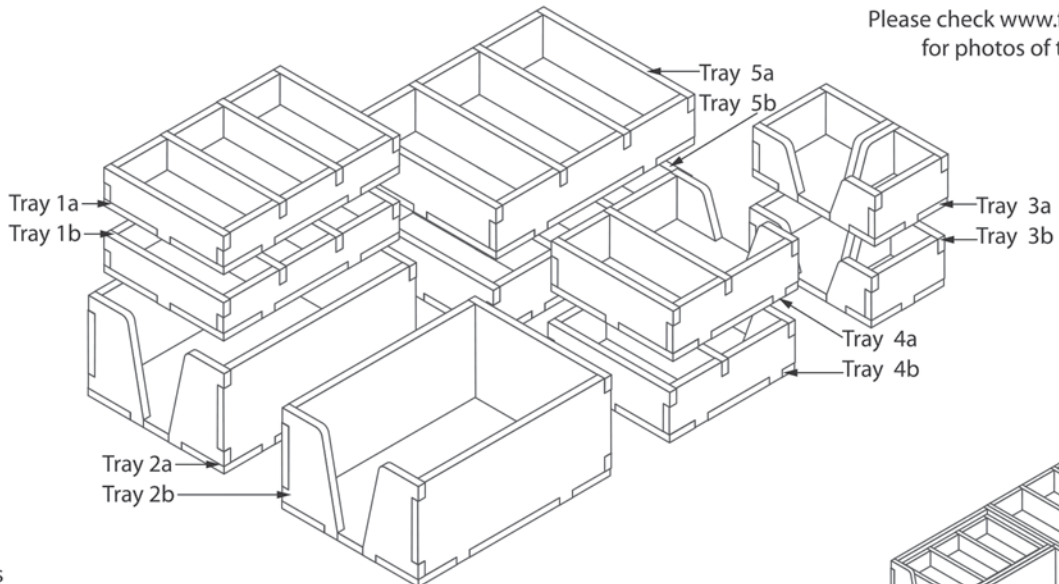


To assemble repeat steps for Tray 1.



FS-IST

Please check www.foldedspace.net for photos of this insert in use.



Tray legend:

- Tray 1a - player pieces
- Tray 1b - player pieces, other tokens
- Tray 2a - barrow tiles, tray1a, tray 1b
- Tray 2b - place tiles
- Tray 3a - mosque and demand tiles
- Tray 3b - mosque and demand tiles
- Tray 4a - cards, ruby gems
- Tray 4b - cards, coffee
- Tray 5a - kiosks, letters
- Tray 5b - coins, barrow extensions

