

FS-FOR insert compatible with Forbidden Stars®

Assembly Instructions

FS-FOR

The package contains 10 sheets: one set of 4 identical sheets, another set of 4 identical sheets and a third set of 2 identical sheets.

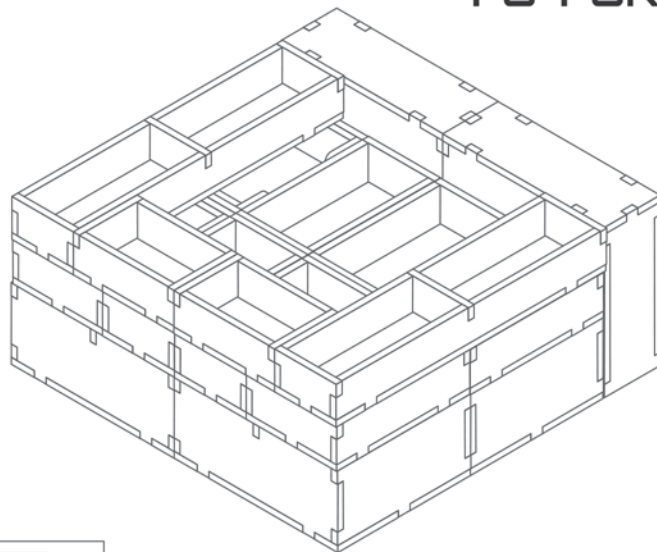
Each tray is either doubled or quadrupled.

After assembly the trays are put in three layers in the original game box.

Ordinary PVA glue is required when assembling each tray, for extra strength.

Please make sure you dry-assemble each tray correctly before gluing it together.

Please check www.foldedspace.net for general assembly tips.

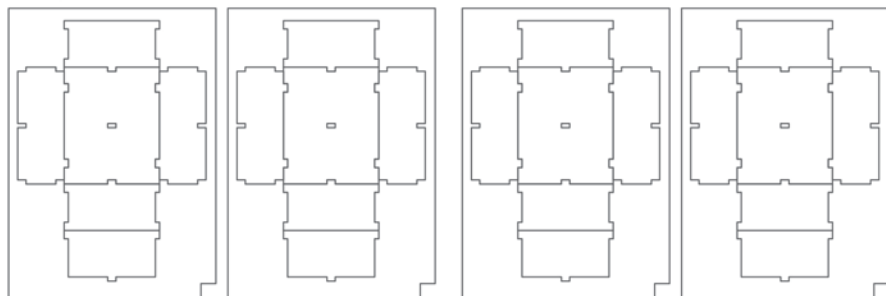


Sheet A1

Sheet A2

Sheet A3

Sheet A4



Sheet B1

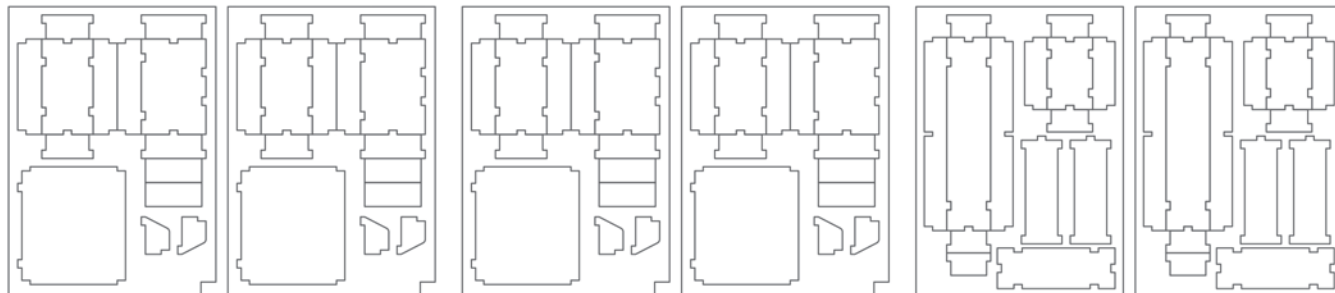
Sheet B2

Sheet B3

Sheet B4

Sheet C1

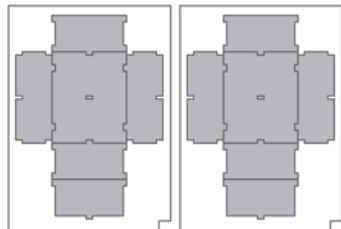
Sheet C2



Tray 1a, 1b, 1c & 1d (the trays are identical)

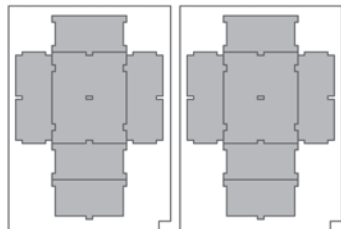
Sheet A1

Sheet A2

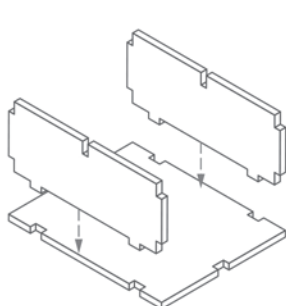


Sheet A3

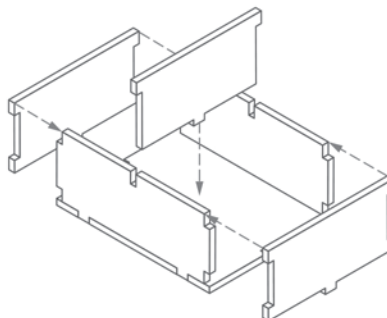
Sheet A4



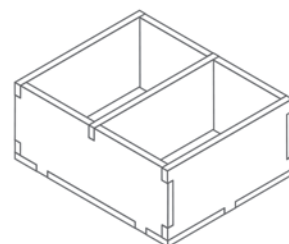
Step 1



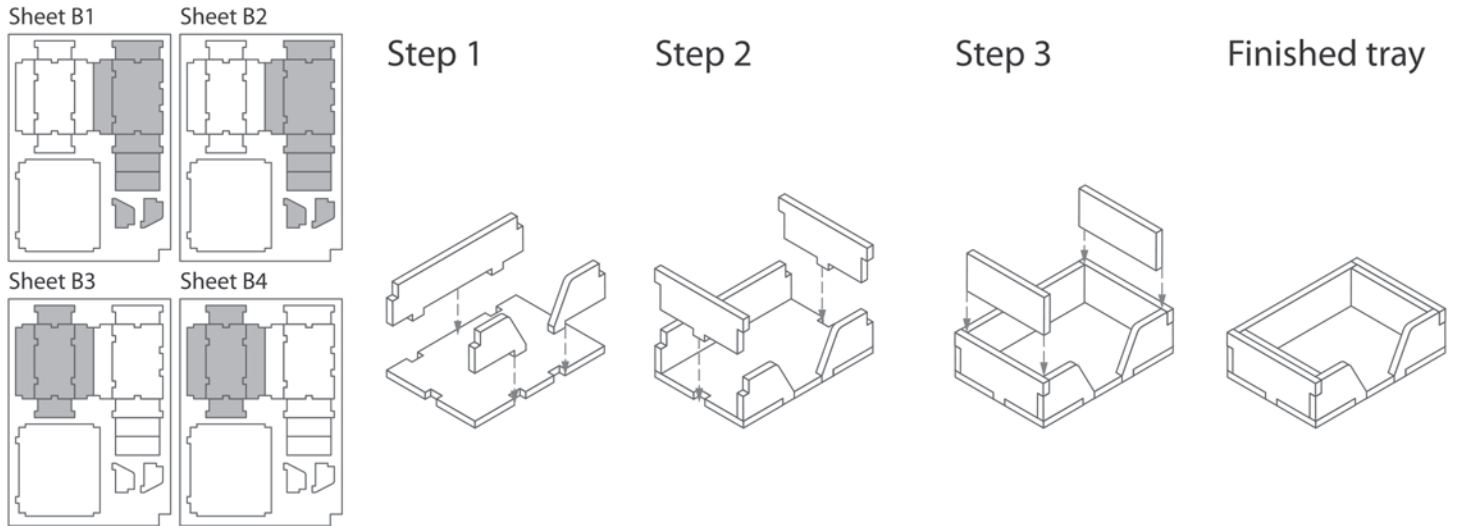
Step 2



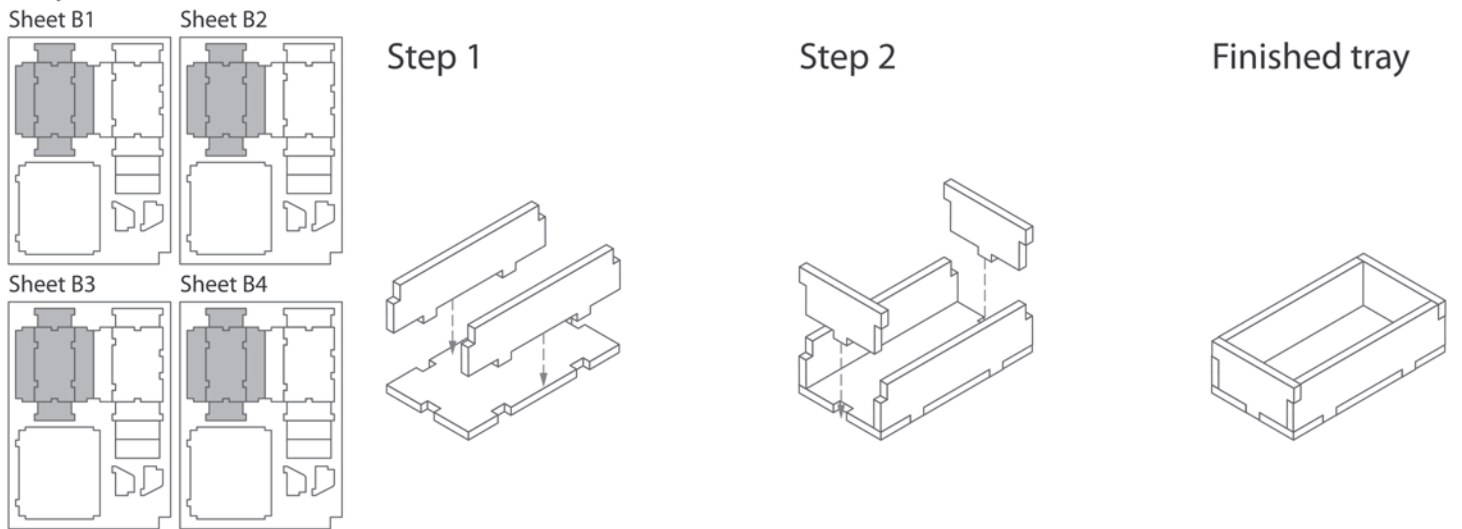
Finished tray



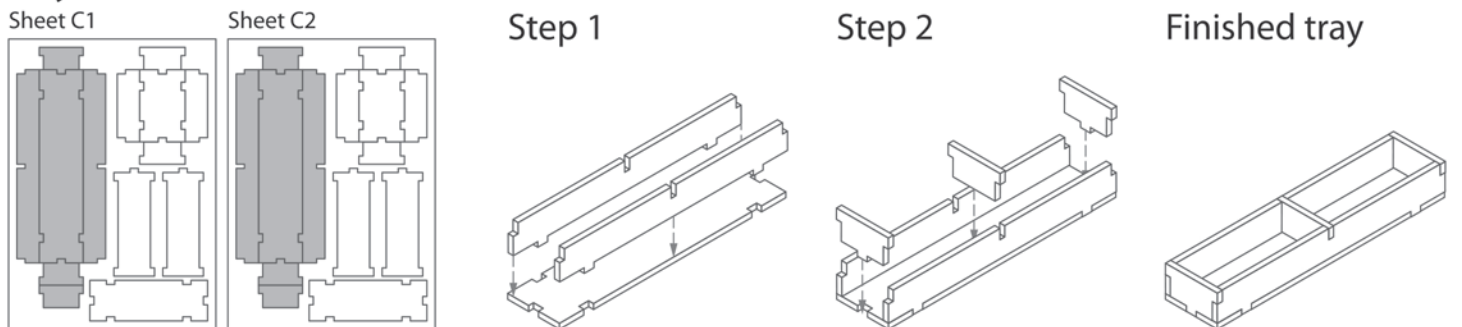
Tray 2a, 2b, 2c & 2d (the trays are identical)



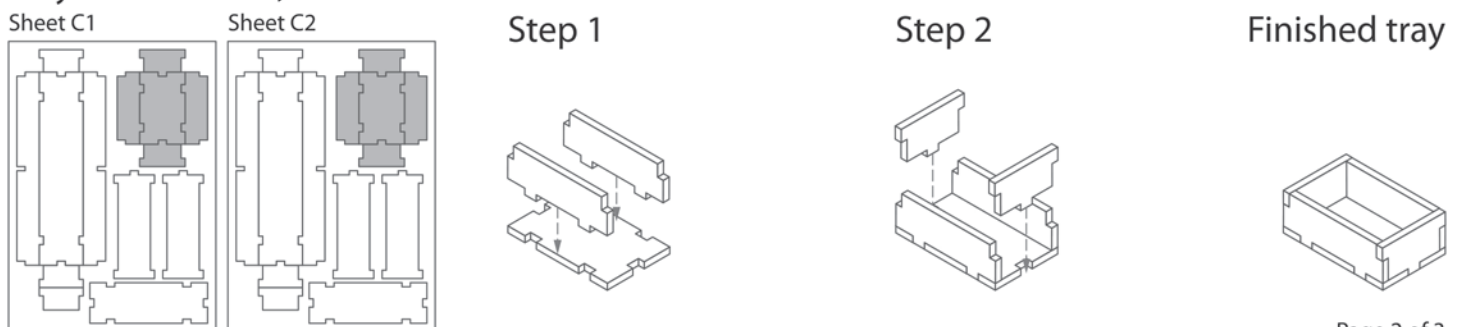
Tray 3a, 3b, 3c & 3d (the trays are identical)



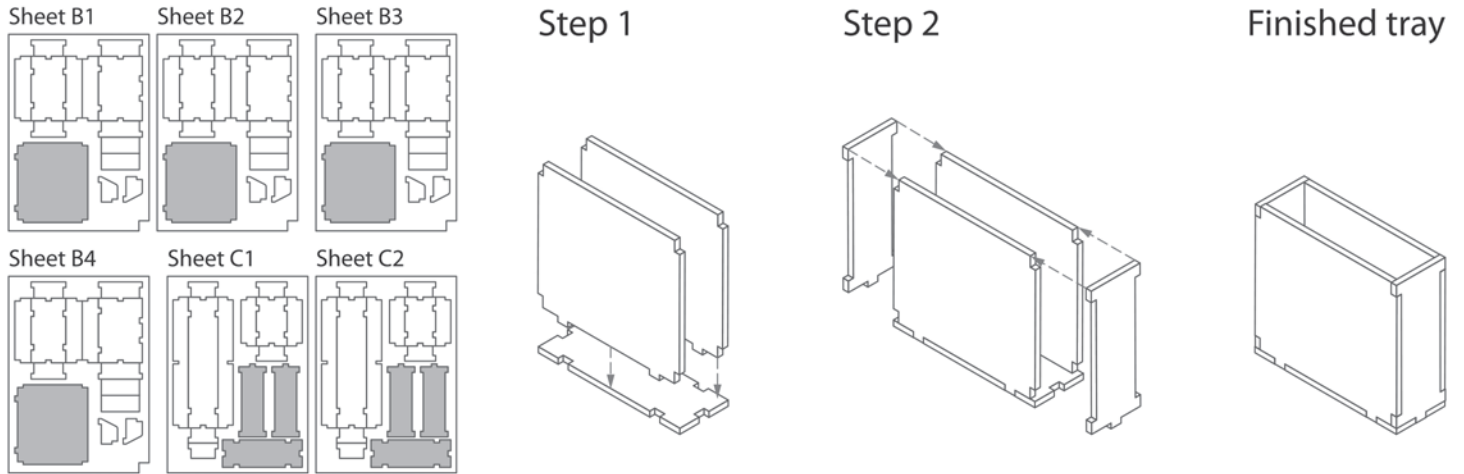
Tray 4a & 4b (the trays are identical)



Tray 5a & 5b (the trays are identical)

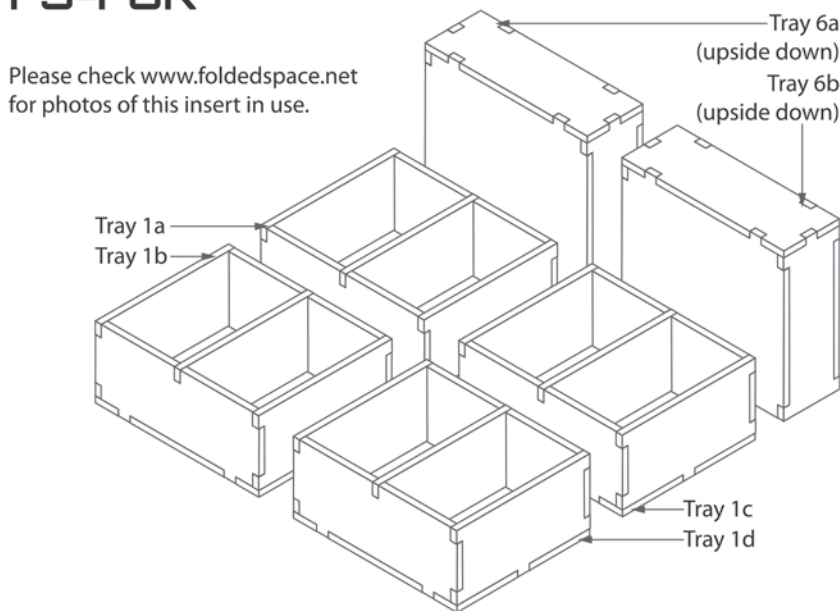


Tray 6a & 6b (the trays are identical)



FS-FOR

Please check www.foldedspace.net for photos of this insert in use.



Tray legend:

- Tray 1a - player miniatures
- Tray 1b - player miniatures
- Tray 1c - player miniatures
- Tray 1d - player miniatures
- Tray 2a - player cards
- Tray 2b - player cards
- Tray 2c - player cards
- Tray 2d - player cards
- Tray 3a - player tokens
- Tray 3b - player tokens
- Tray 3c - player tokens
- Tray 3d - player tokens
- Tray 4a - combat tokens, asset tokens
- Tray 4b - cities, bastions
- Tray 5a - dice
- Tray 5b - factories
- Tray 6a - filler trays
- Tray 6b - filler trays

