

FS-RfG insert
compatible with Roll for the Galaxy®,
incl. the Ambition® expansion

Assembly Instructions

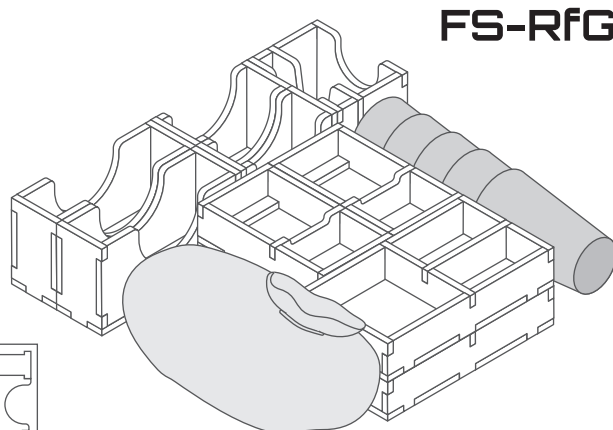
The package contains 4 sheets, two of them are identical to the other two.

After assembly the trays are put in two layers in the original game box.

Ordinary PVA glue is required when assembling each tray.

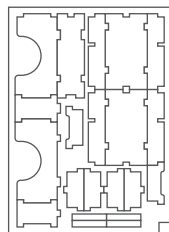
Please make sure you dry-assemble each tray correctly before gluing it together.

Please check www.foldedspace.net for general assembly tips.

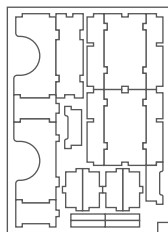


FS-RfG

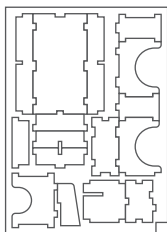
Sheet A



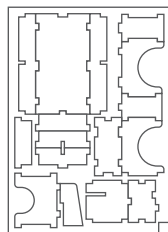
Sheet B



Sheet C

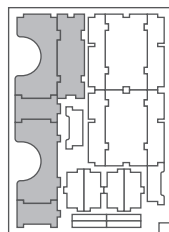


Sheet D

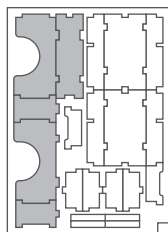


Tray 1a & 1b (the trays are identical)

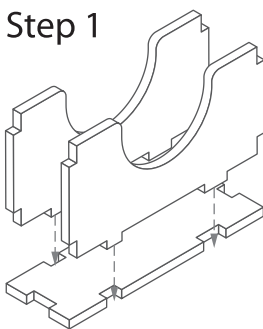
Sheet A



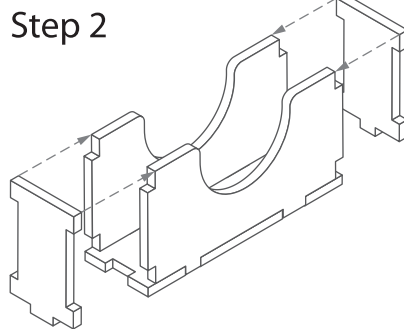
Sheet B



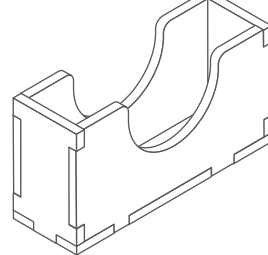
Step 1



Step 2

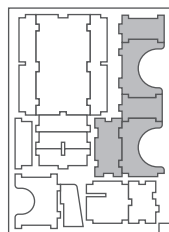


Finished tray

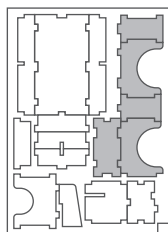


Tray 2a & 2b (the trays are identical)

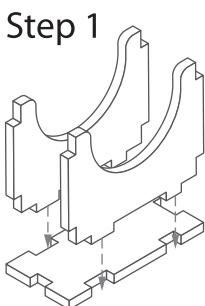
Sheet C



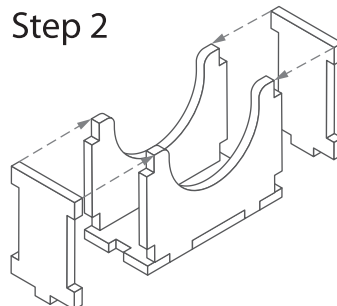
Sheet D



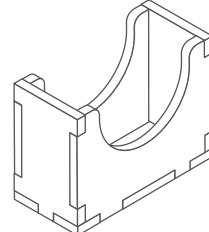
Step 1



Step 2

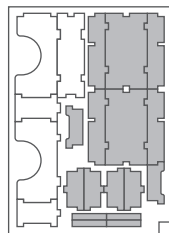


Finished tray

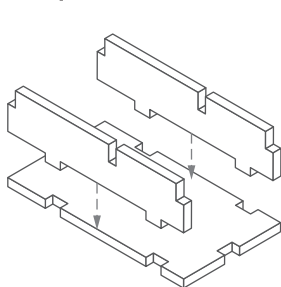


Tray 3a, 3b, 3c & 3d (the four trays are identical)

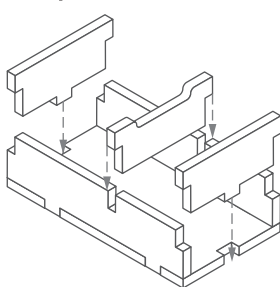
Sheet A



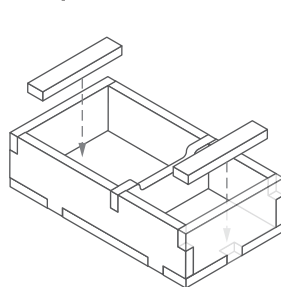
Step 1



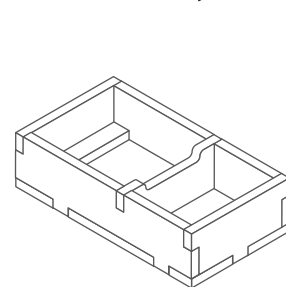
Step 2



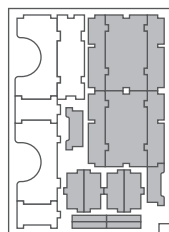
Step 3



Finished tray

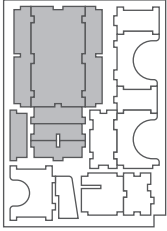


Sheet B

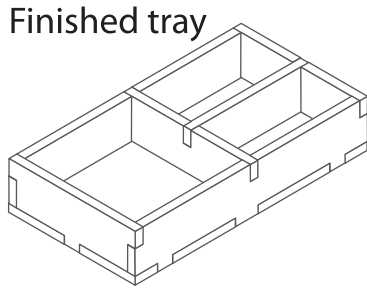
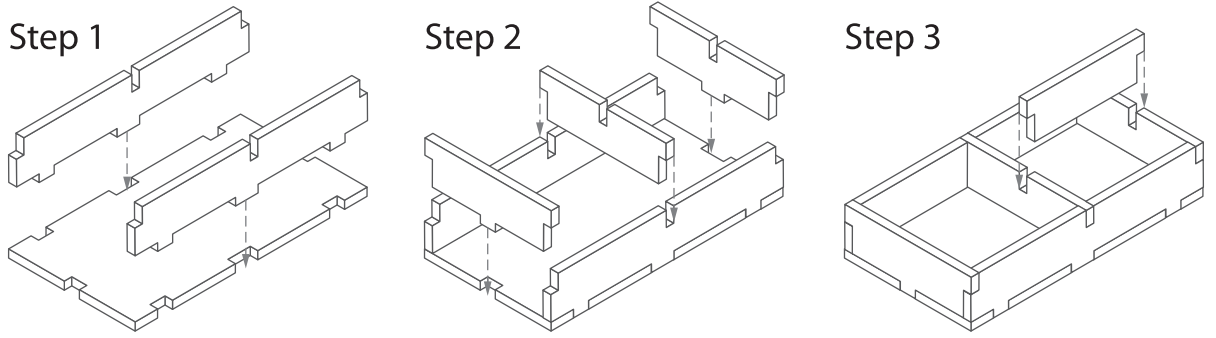
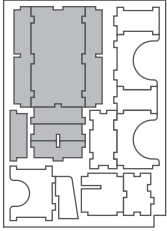


Step 3 pieces are glued to the inside ends of the base, so as to ease access to dice.

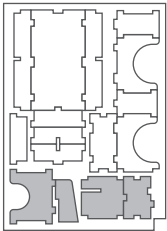
Tray 4a & 4b
(both are identical)
Sheet C



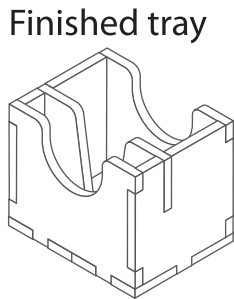
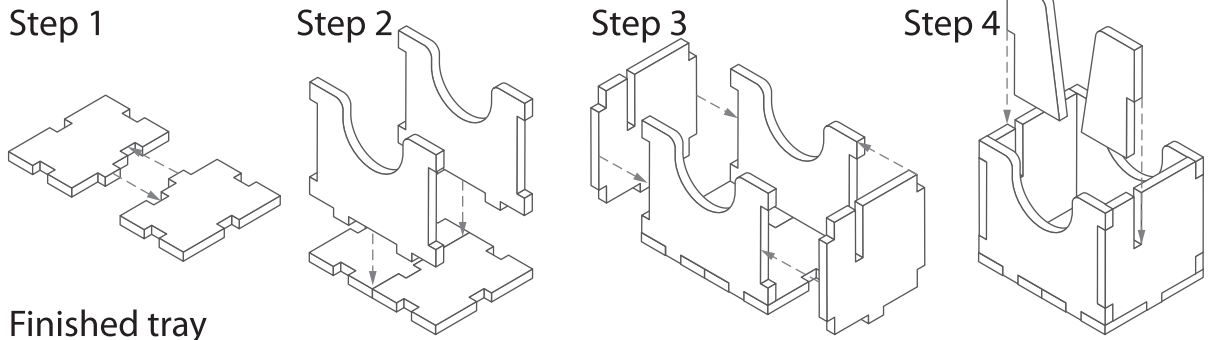
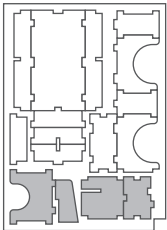
Sheet D



Tray 5
Sheet C



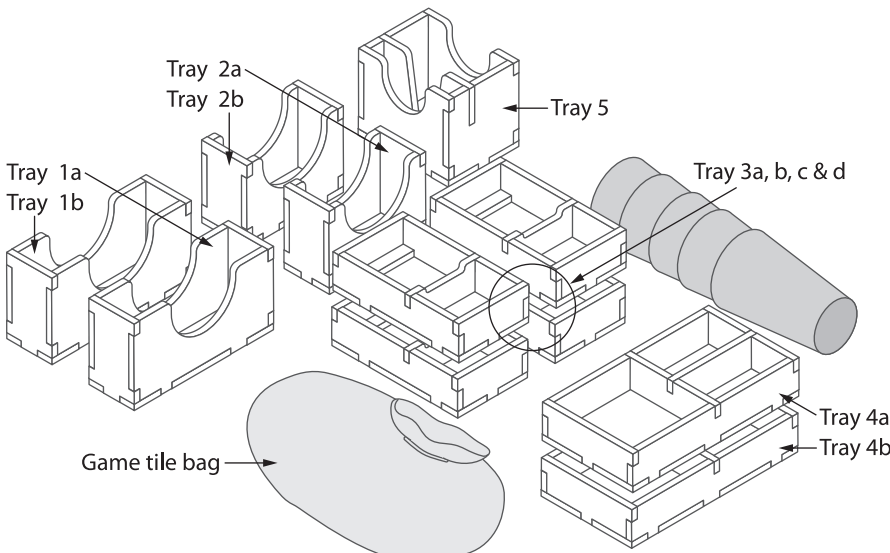
Sheet D



FS-RfG

Please check www.foldedspace.net
for photos of this insert in use.

Tip: Keep the instructions in the bottom of your board game box as a reminder of how the insert fits together.



Tray legend:

- Tray 1a, b - faction tiles
- Tray 2a, b - objective tiles
- Tray 3a - military & consumption dice
- Tray 3b - home & alien tech dice
- Tray 3c - rare elements & genes dice
- Tray 3d - novelty, leader & entrepreneur dice
- Tray 4a - VP chips, talent counters & credit markers
- Tray 4b - spare tray
- Tray 5 - home world & phase tiles

Note: Trays 1 and 2 are lower on the sides facing each other to allow space for a future board to be added on top of the insert.