

FS-VIL insert compatible with Village®,
incl. the Village Inn® & Village Port® expansions

Assembly Instructions

The package contains 4 sheets, two of them are identical to the other two.

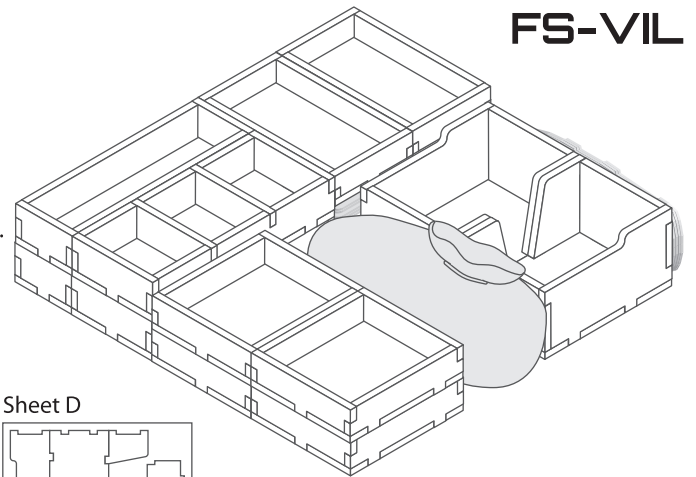
Each tray is doubled or quadrupled.

After assembly the trays are put in two layers in the original game box.

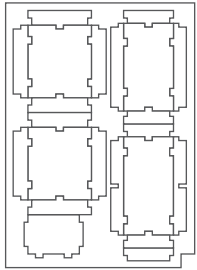
Ordinary PVA glue is required when assembling each tray, for extra strength.

Please make sure you dry-assemble each tray correctly before gluing it together.

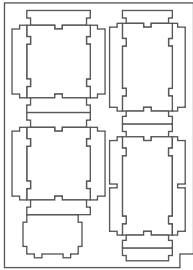
Please check www.foldedspace.net for general assembly tips.



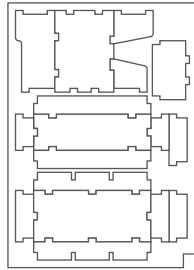
Sheet A



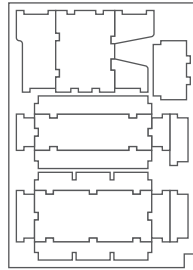
Sheet B



Sheet C

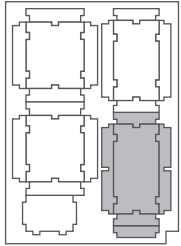


Sheet D

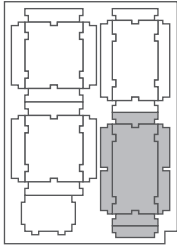


Tray 1a & 1b (the trays are identical)

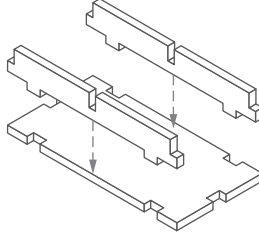
Sheet A



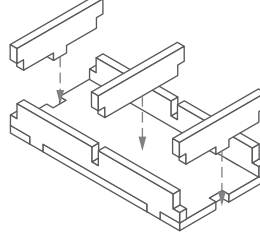
Sheet B



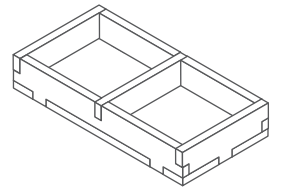
Step 1



Step 2

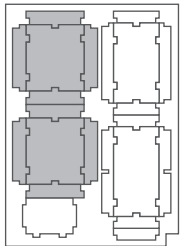


Finished tray

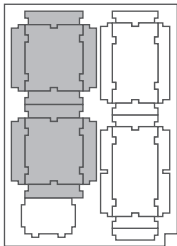


Tray 2a, 2b, 2c & 2d (the trays are identical)

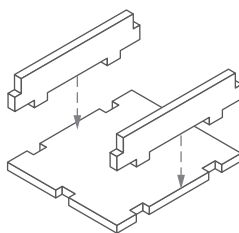
Sheet A



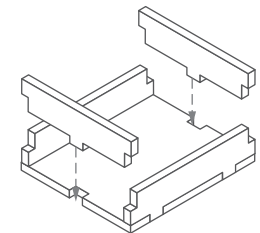
Sheet B



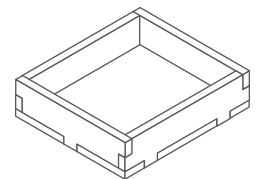
Step 1



Step 2

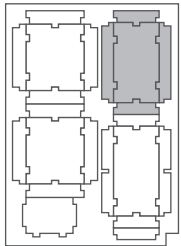


Finished tray

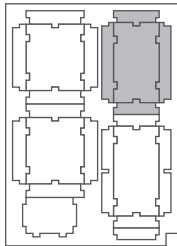


Tray 3a & 3b (the trays are identical)

Sheet A

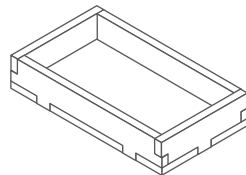


Sheet B



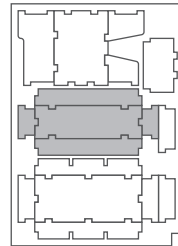
To assemble repeat steps
for Tray 2.

Finished tray

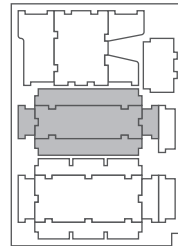


Tray 4a & 4b (the trays are identical)

Sheet C

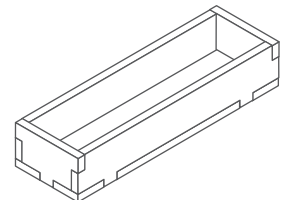


Sheet D

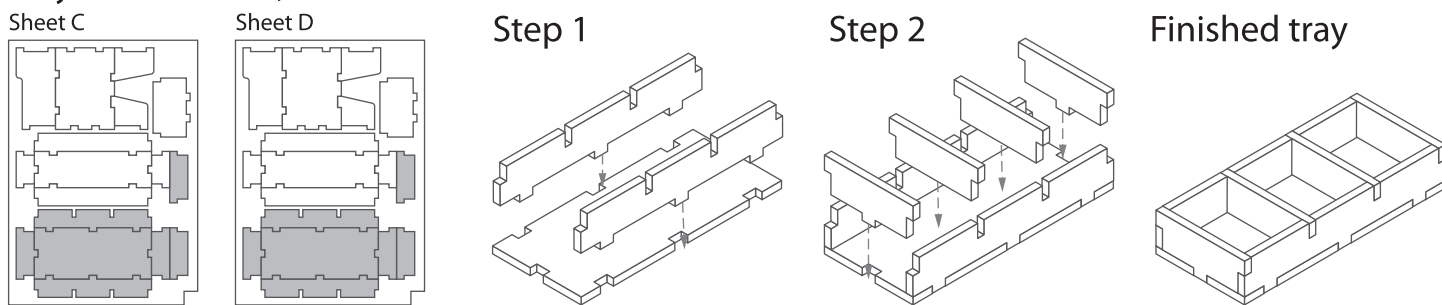


To assemble repeat steps
for Tray 2.

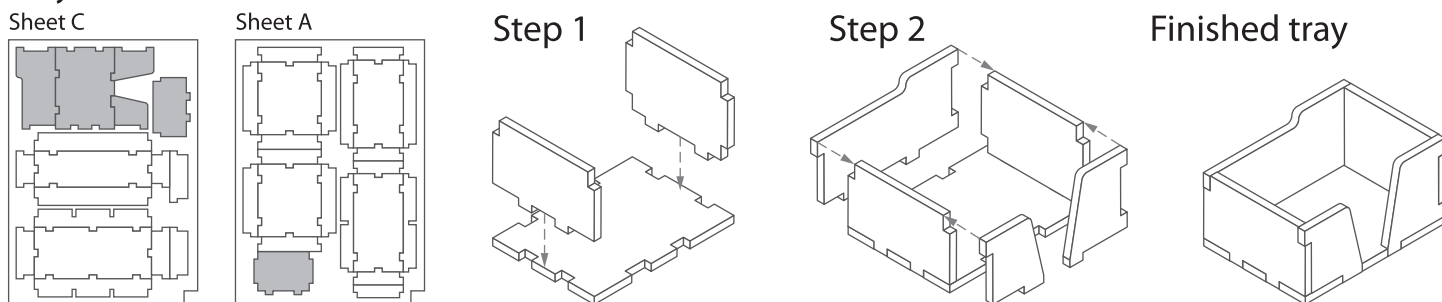
Finished tray



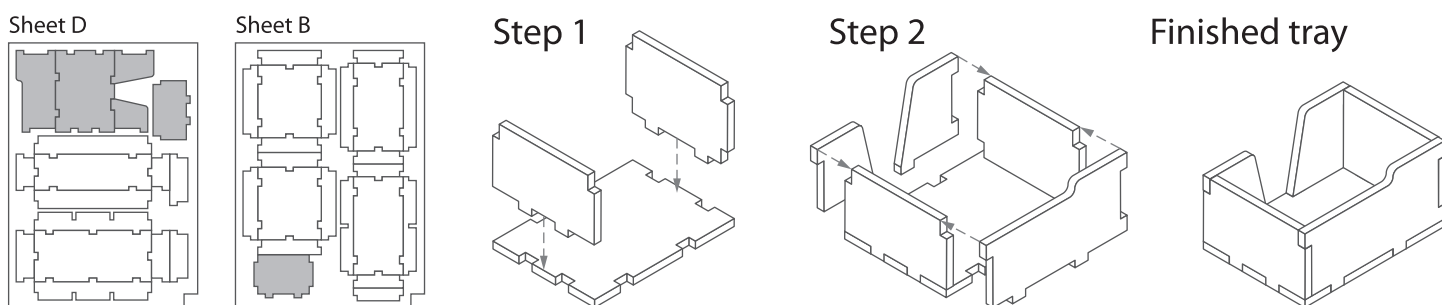
Tray 5a & 5b (the trays are identical)



Tray 6a



Tray 6b - this tray is a mirror image of Tray 6a:



FS-VIL

Tray legend:

- Tray 1a - tea bales and cocoa baskets
- Tray 1b - treasure chests and starting player tokens
- Tray 2a, b, c, d - player pieces
- Tray 3a - coins
- Tray 3b - bags of grain
- Tray 4a - player pieces
- Tray 4b - customer tiles
- Tray 5a, b - goods tiles
- Tray 6a - inn and port cards
- Tray 6b - setup cards

Note: This game has a lot of boards and overlays. Please check our website www.foldedspace.net to see how they fit on top of the trays.

