

Assembly Instructions

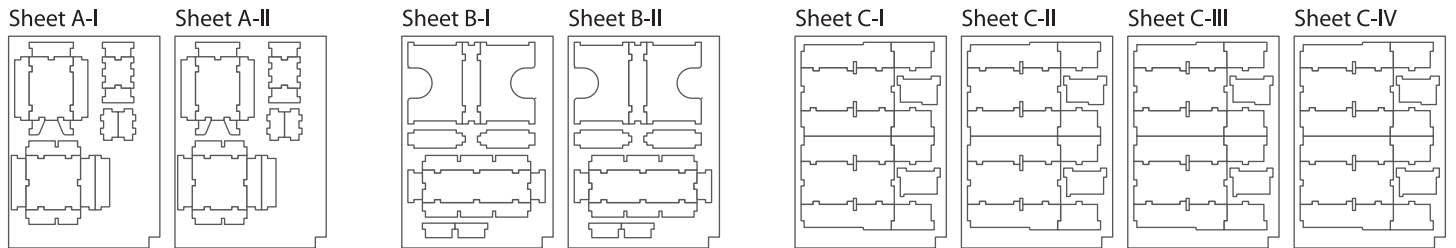
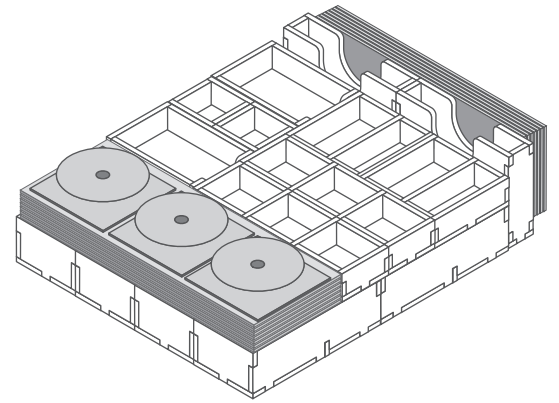
The package contains 8 sheets - 2 sets of two and 1 set of four identical sheets.

After assembly the trays are put in two layers in the original game box.

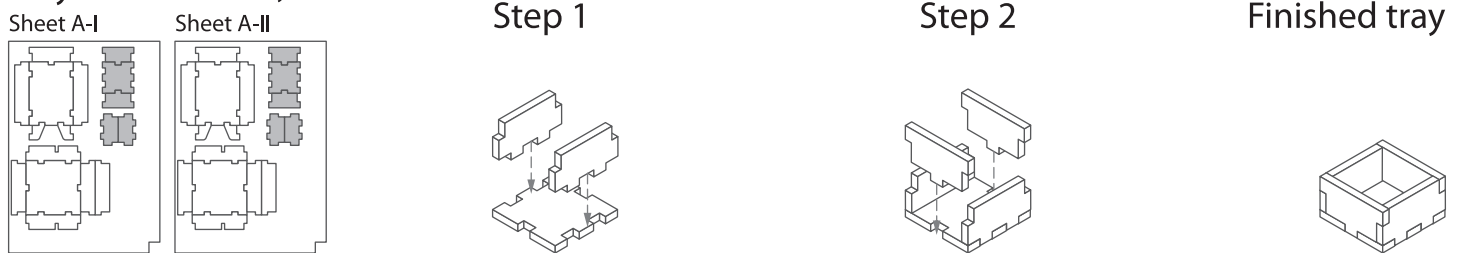
Ordinary PVA glue is required when assembling each tray, for extra strength.

Please make sure you dry-assemble each tray correctly before gluing it together.

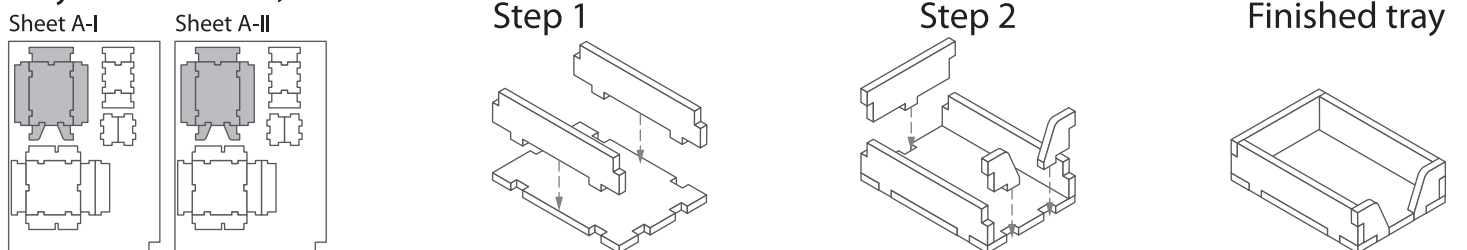
Please check www.foldedspace.net for general assembly tips.



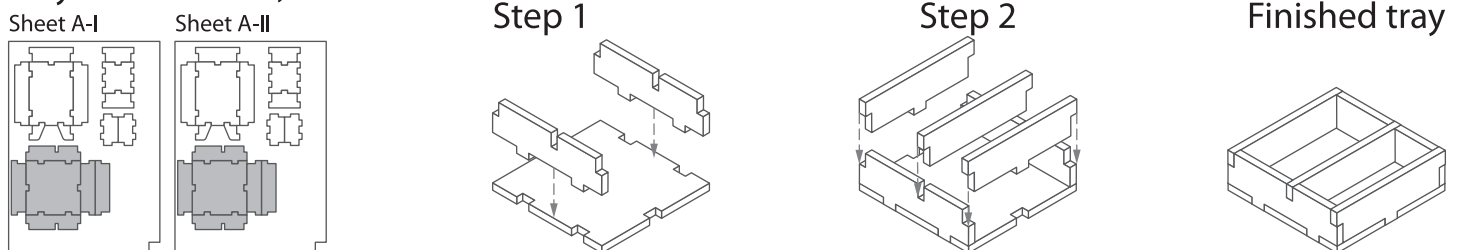
Tray 1a & 1b (the trays are identical)



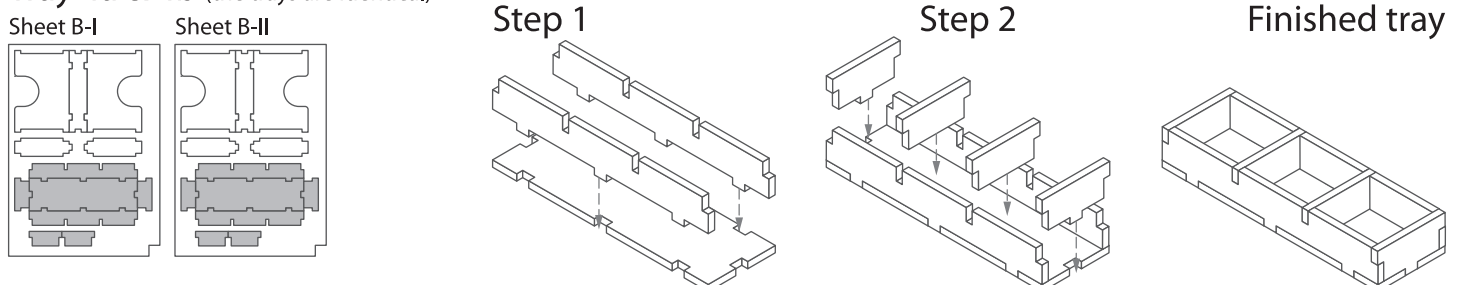
Tray 2a & 2b (the trays are identical)



Tray 3a & 3b (the trays are identical)

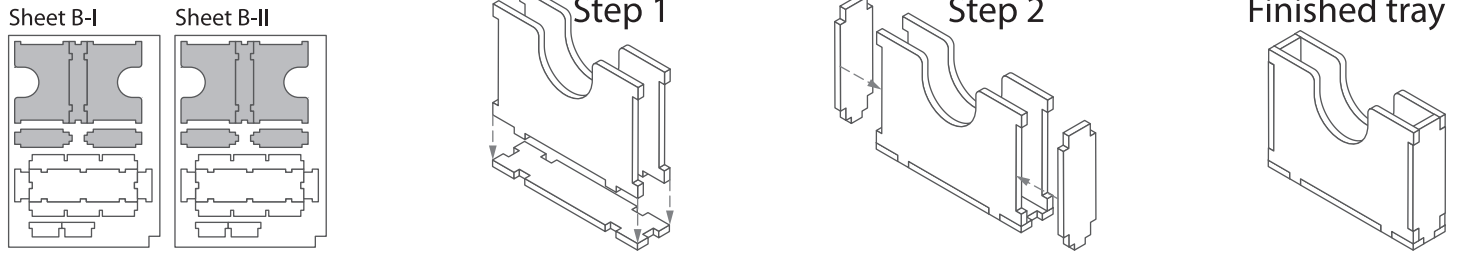


Tray 4a & 4b (the trays are identical)

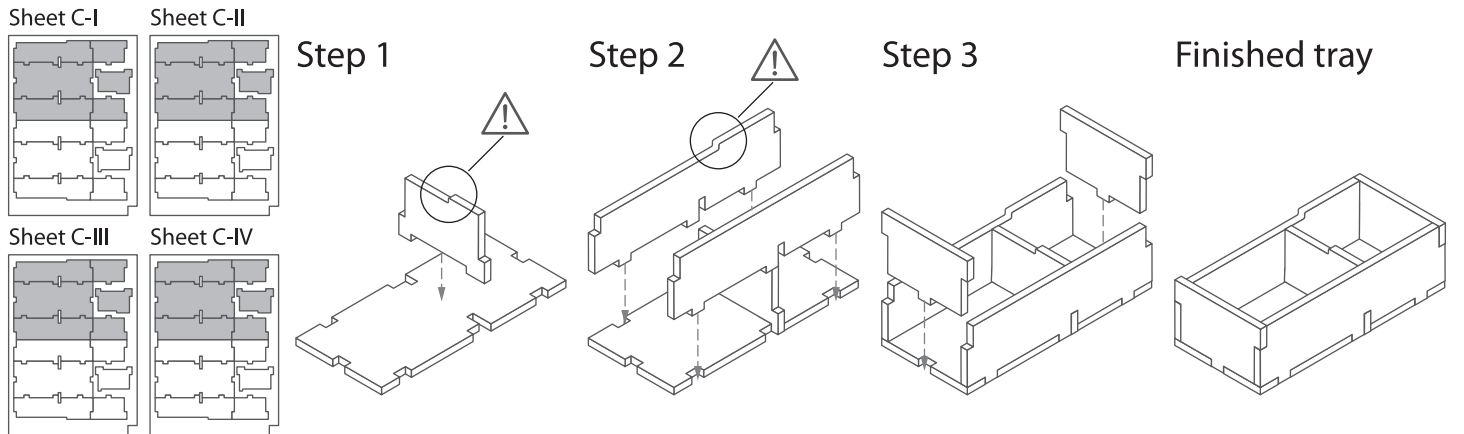


Tip: Keep the instructions in the bottom of your board game box as a reminder of how the insert fits together.

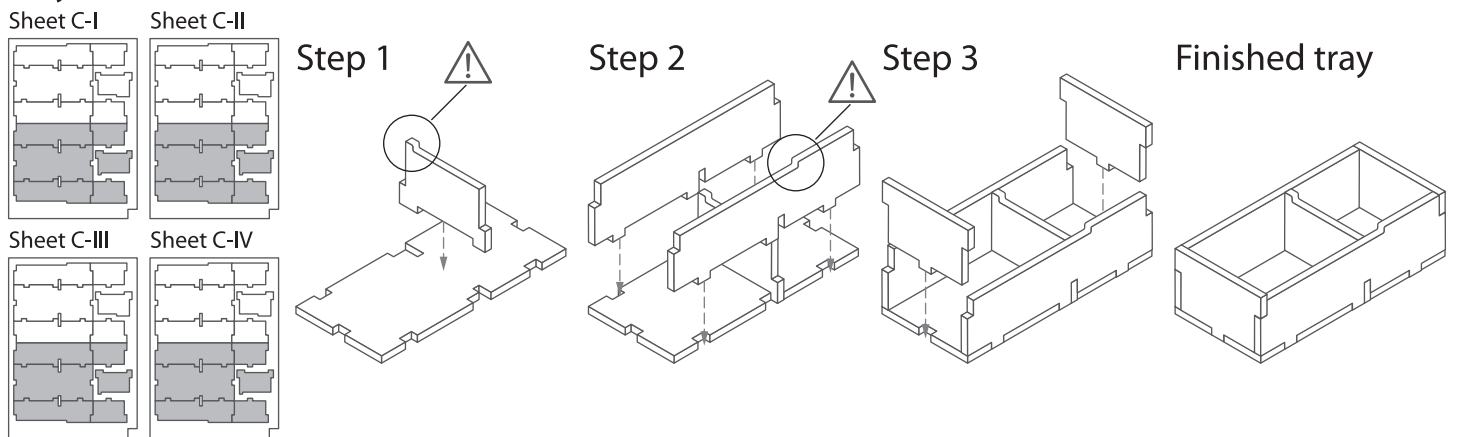
Tray 5a & 5b (the trays are identical)



Tray 6a, 6b, 6c & 6d (the trays are identical)

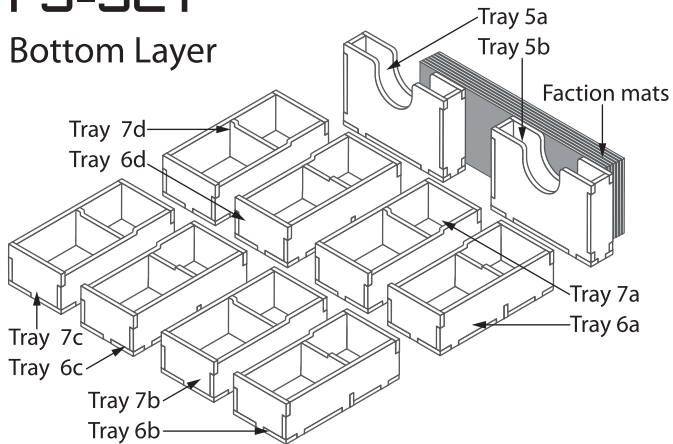


Tray 7a, 7b, 7c, & 7d (the trays are identical)

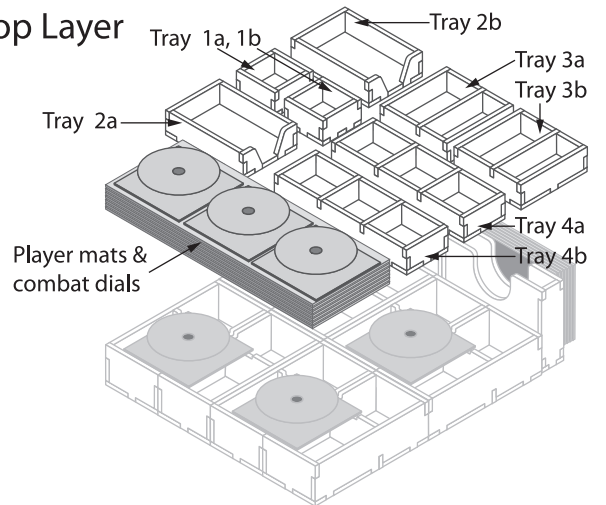


FS-SCY

Bottom Layer



Top Layer



Tray legend:

- Tray 1a - encounter tokens
- Tray 1b - multiplier tokens
- Tray 2a - automa cards
- Tray 2b - objective cards

- Tray 3a, b - resource tokens
- Tray 4a, b - coins
- Tray 5a - encounter cards
- Tray 5b - factory cards
- Tray 6a, b, c, d, 7a, b, c - faction pieces
- Tray 7d - combat cards and other tokens

Note: Trays 6 and 7 face each other so as to fit the combat dials on top.

Please check www.foldedspace.net for photos of this insert in use.